

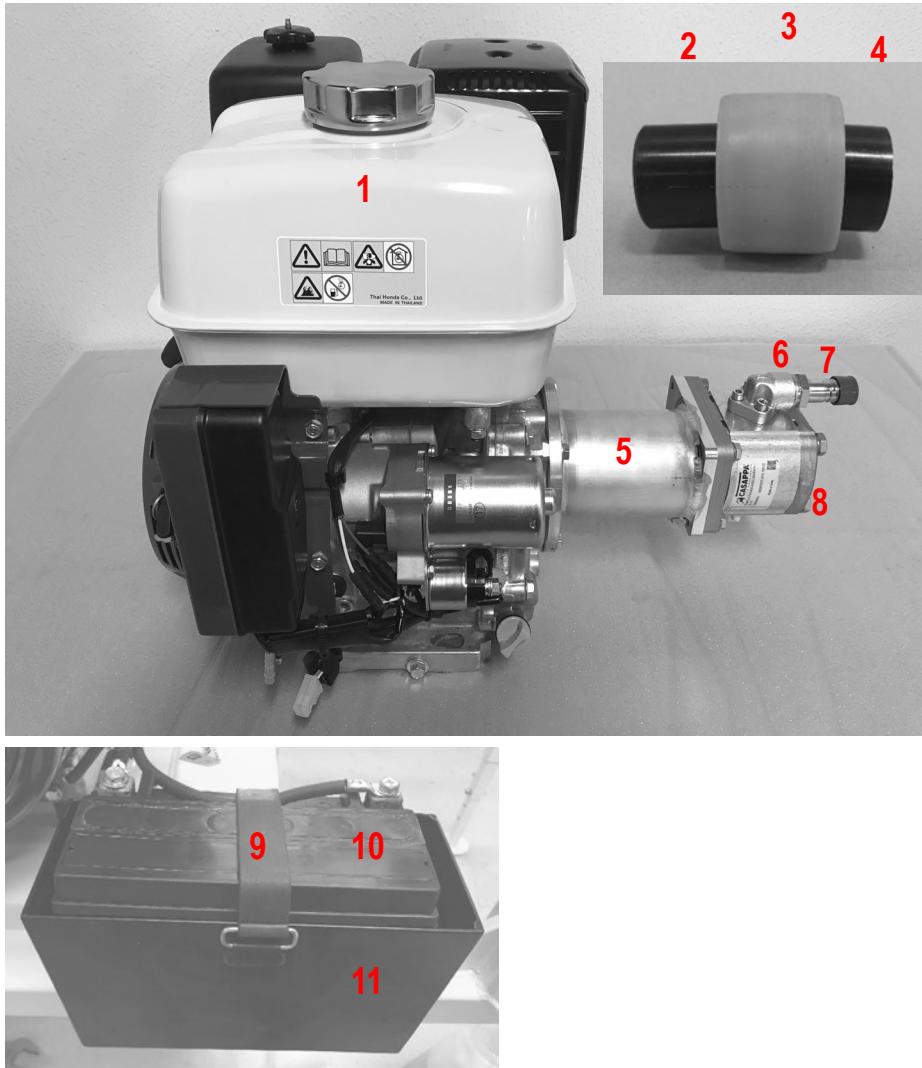
WINTEX MCL3

Spare parts catalogue

The future is in the soil -
and in professional soil samplers

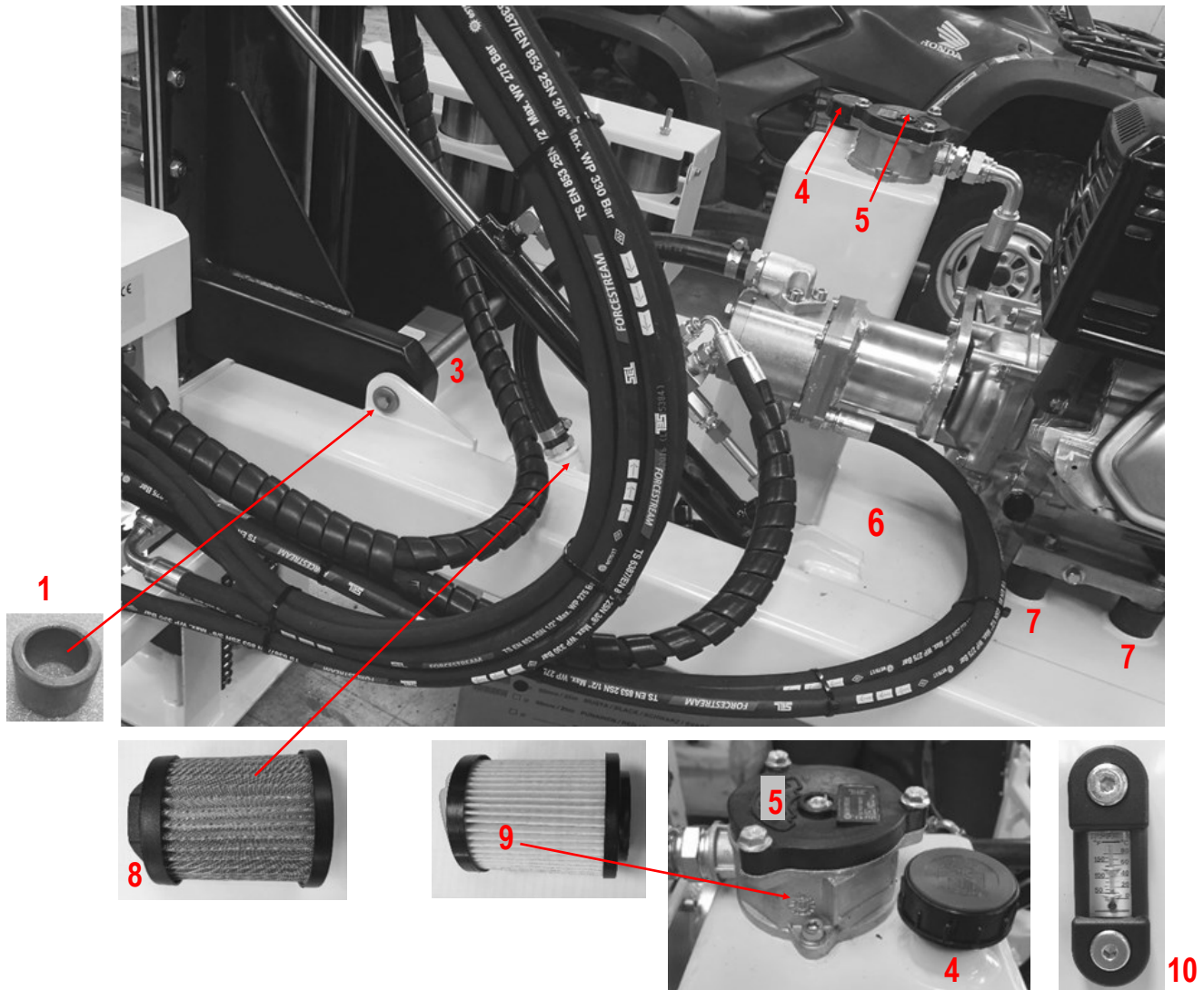


Honda GX390 engine



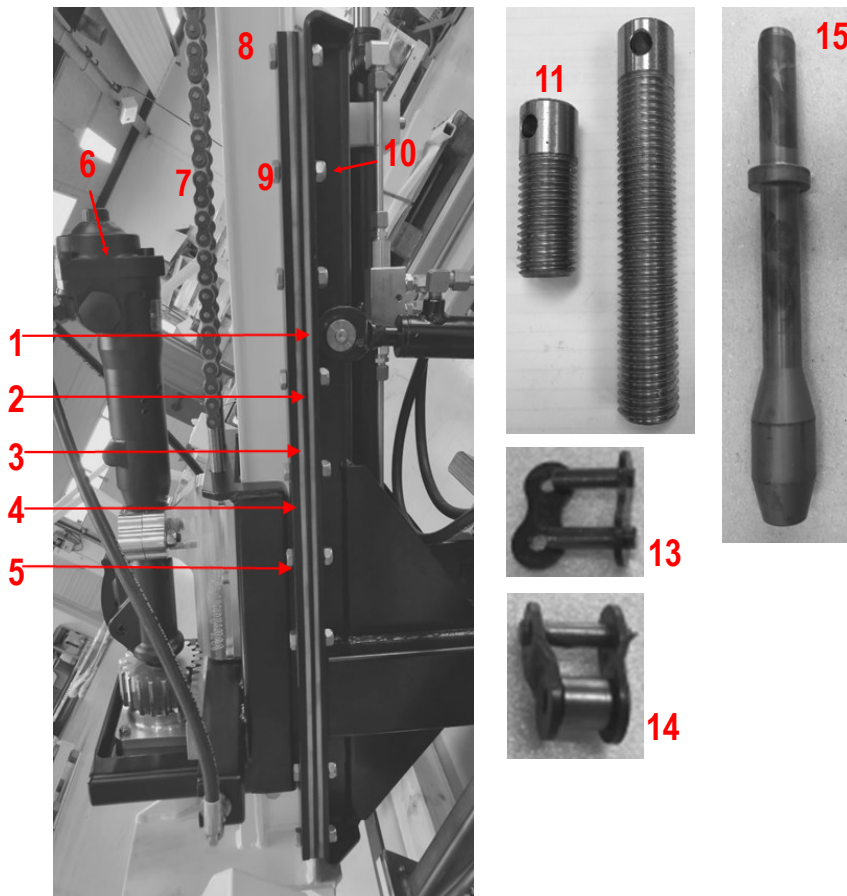
PART	ART. NO.	ARTICLE
1	17101026	Honda GX390 engine
2	17101064	Coupling f. pump
3	17101065	Bushing f. pump
4	17101063	Coupling f. engine
5	17101091	Clutch housing f. GX390 engine
6	17101062	Angle fitting w. flange
7	17101061	Nipple 3/4
8	17101090	Hydraulic pump 9 CC
9	17101101	Rubber strap f. battery
10	17101109	Battery
11	17101080	Battery box

Mounting frame with tank



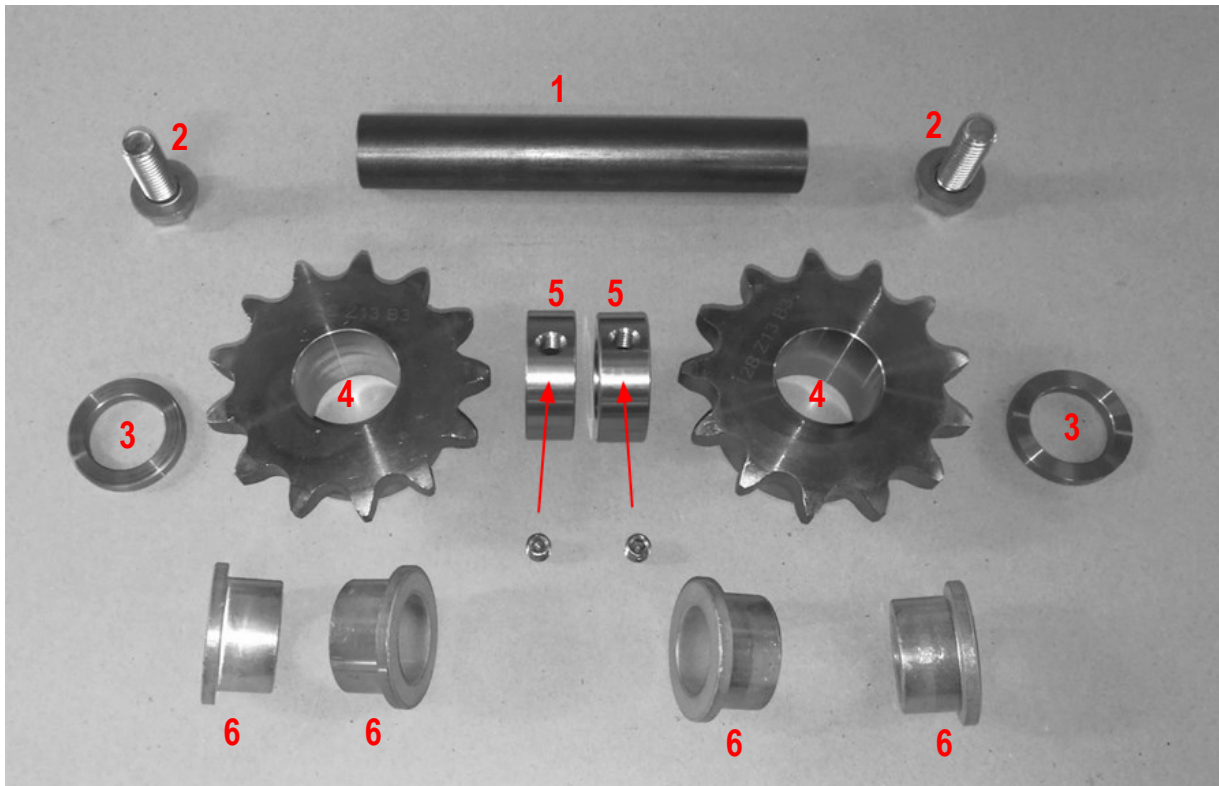
PART	ART. NO.	ARTICLE
1	17101121	Bronze bushing
2	17101098	Washer f. shaft f. mast
3	17101068	Rocker shaft
4	50101229	Oil level rod w. filler cap, large
5	17101110	Filter housing
6	17101093	Mounting frame w. integrated tank
7	17101094	Vibration damper
8	17101017	Suction strainer
9	17101060	Return filter, 33 lpm ½
10	17101018	Oil level glass

Mast



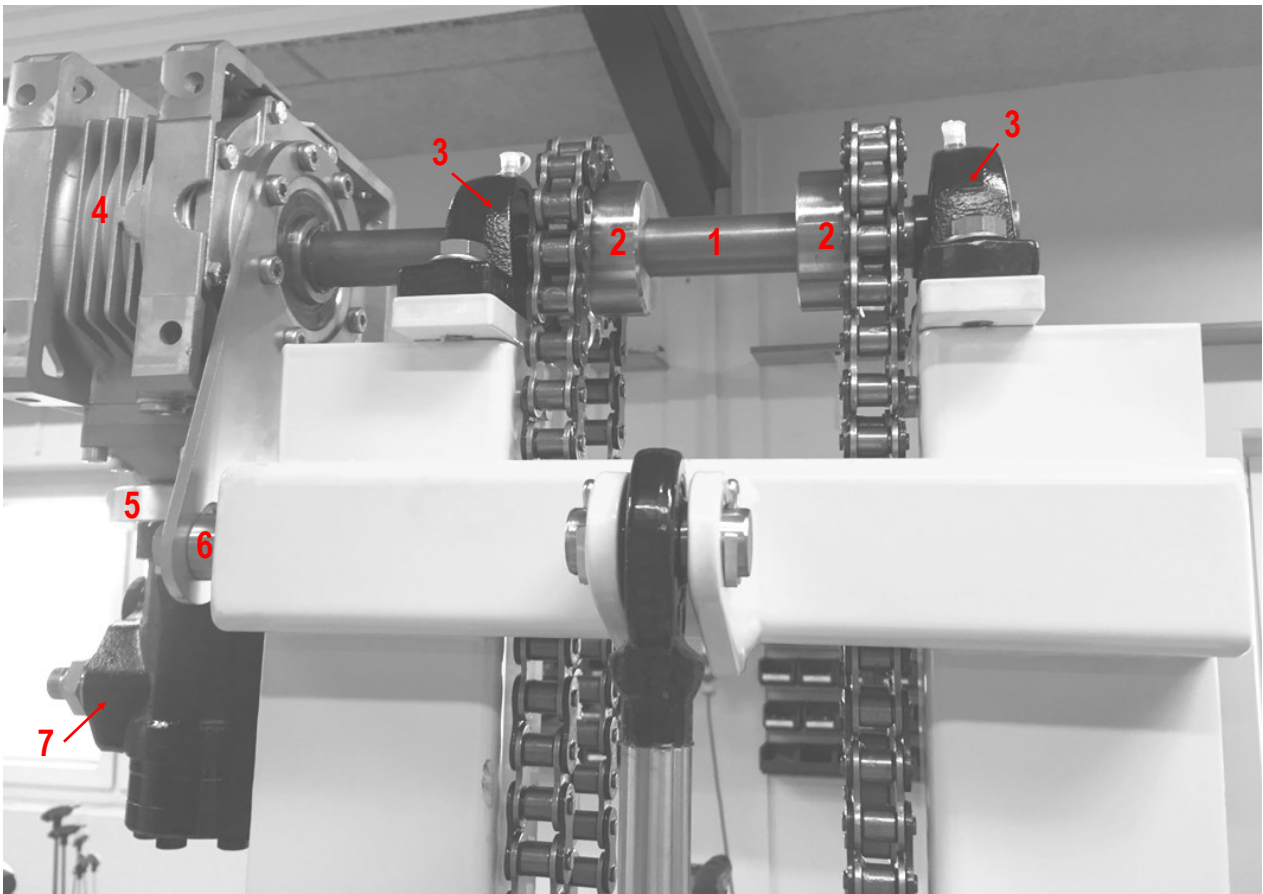
PART	ART. NO.	ARTICLE
1	17101074	Sledge
2	17101039	PEHD wearing part, large
3	17101075	Spacer plate f. PEHD wearing part
4	17101071	PEHD wearing part, small
5	17101073	Locking plate f. small PEDH wearing part
6	17101009	Hydraulic hammer BRK25D
7	17101123-1	Chain for 120 cm sampler
	17101123-2	Chain for 200 cm sampler
8	17101089	Mast, 120 cm
	17101095	Mast, 200 cm
9	60101259	Hex bolt, M10x25 mm
10	60101019	Lock nut, M10 mm
11	17101111	Chain tensioner, short
12	17101112	Chain tensioner, long
13	17101125	Half link
14	17101124	Chain assembly
15	17101004	Striker

Mast



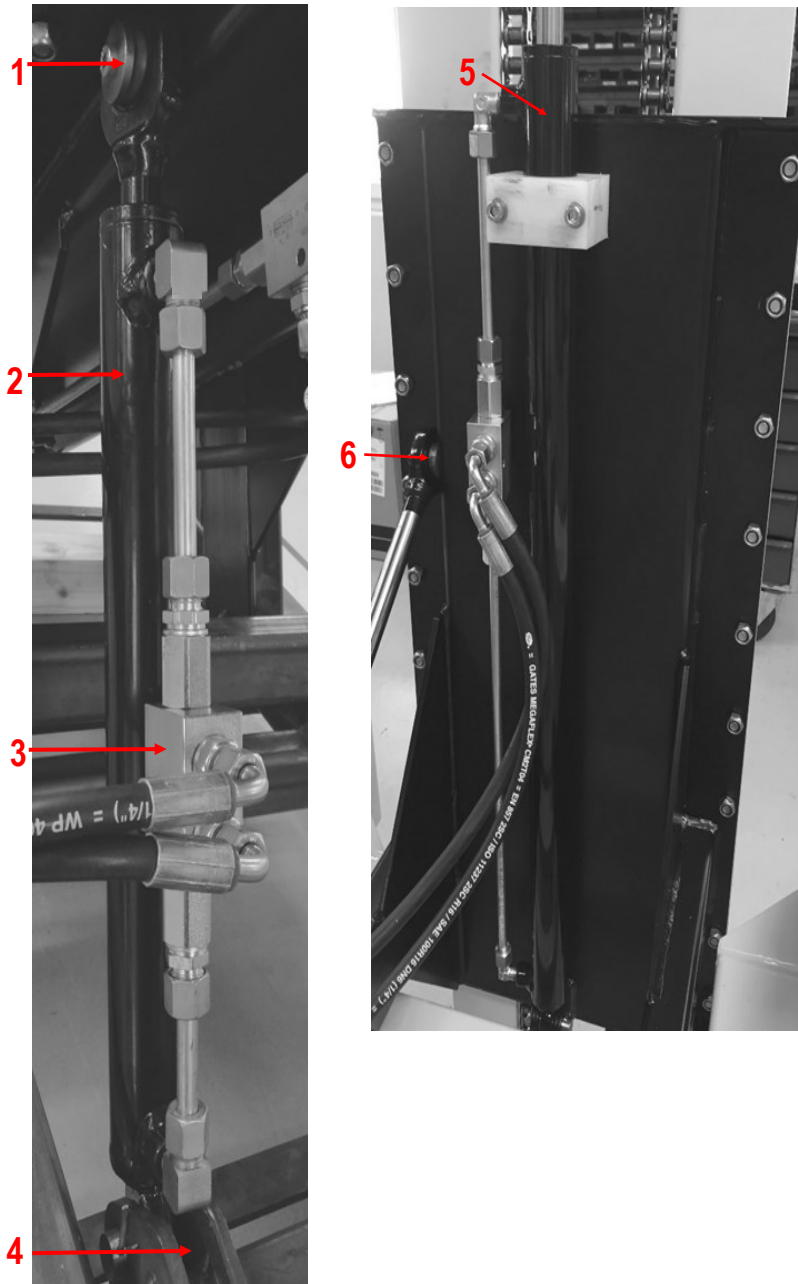
PART	ART. NO.	ARTICLE
1	17101066	Shaft f. lower sprocket
2	60101292	Bolt, M12x30 mm
3	17101070	Small spacer ring f. lower sprocket
4	17101022	Lower sprocket
5	17101069	Large spacer ring w. pointed screw f. lower sprocket
6	17101122	Bronze bushing w. flange

Mast



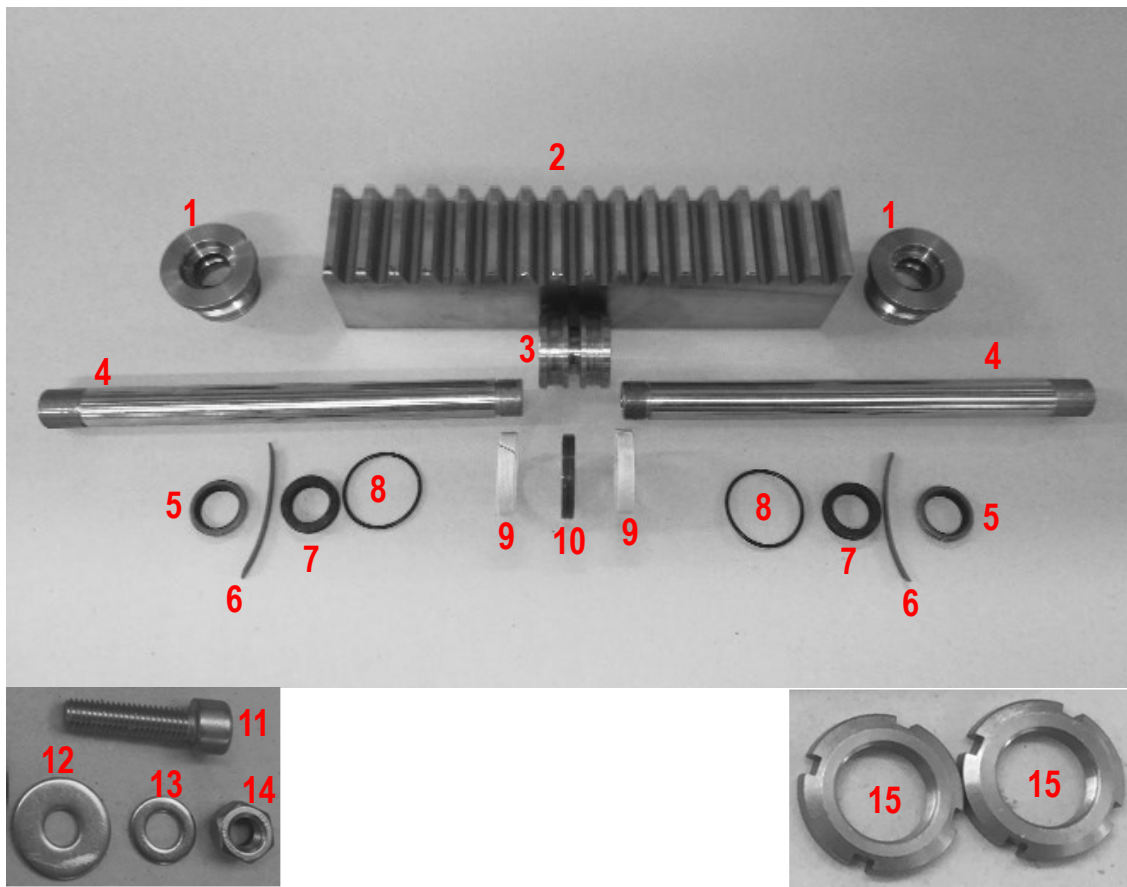
PART	ART. NO.	ARTICLE
1	17101067	Shaft f. upper sprocket
2	17101113	Upper sprocket
3	17101087	Top bearing w. bracket
4	17101020	Planetary gear
5	17101135	Flange f. oil motor
6	17101134	Bushing f. fitting f. oil motor
7	17101015	Orbit motor

Cylinders



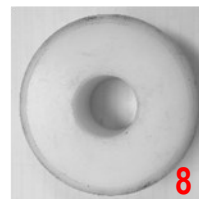
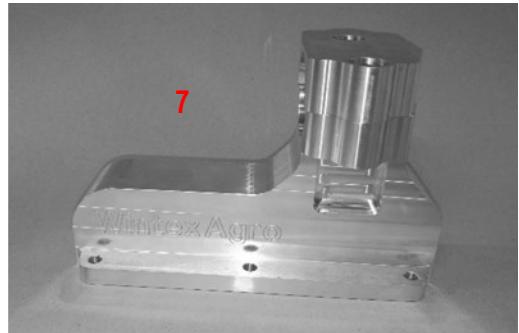
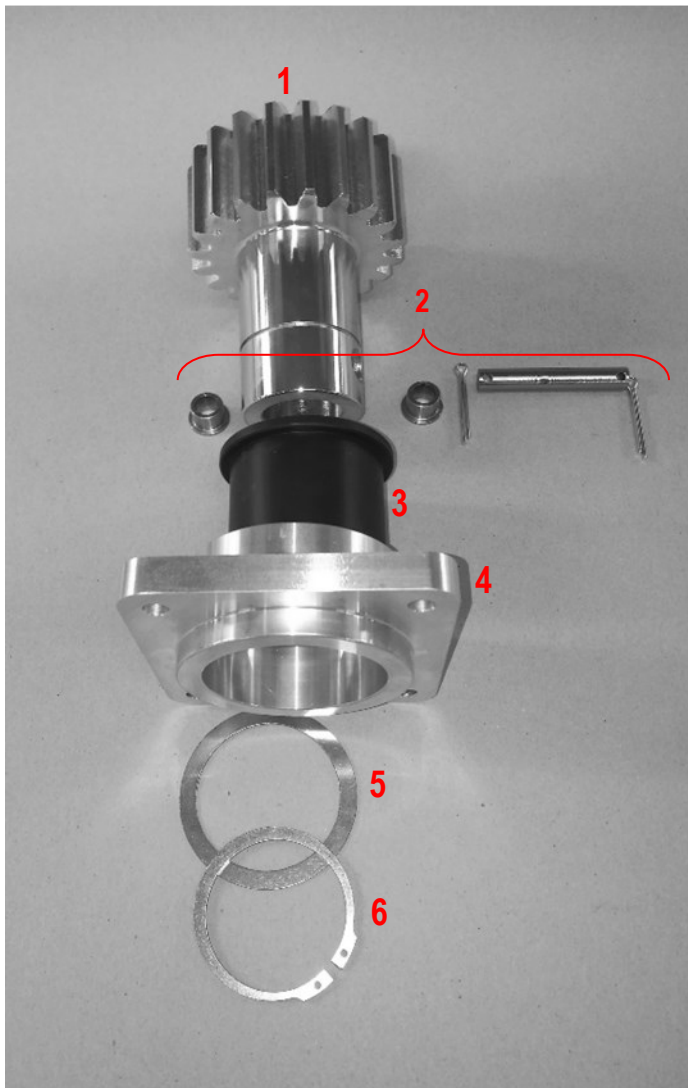
PART	ART. NO.	ARTICLE
1	17101097	Shaft f. cylinder, long
2	17101012	Hydraulic cylinder, lift mast
3	17101114	Pilot check valve
4	17101096	Shaft f. cylinder, short
5	17101013	Hydraulic cylinder, raise/park mast
6	17101133	Spacer behind cylinder

Hammer carriage



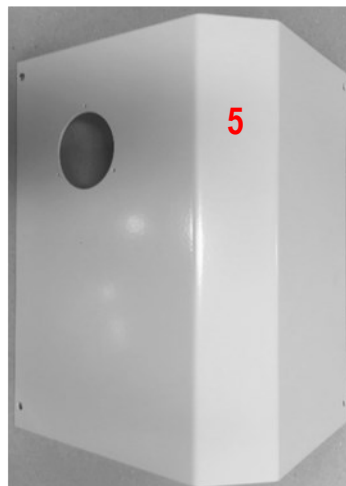
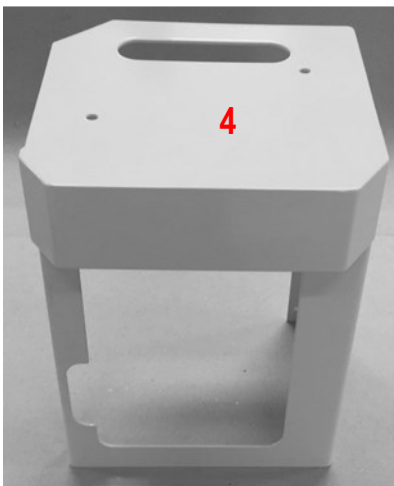
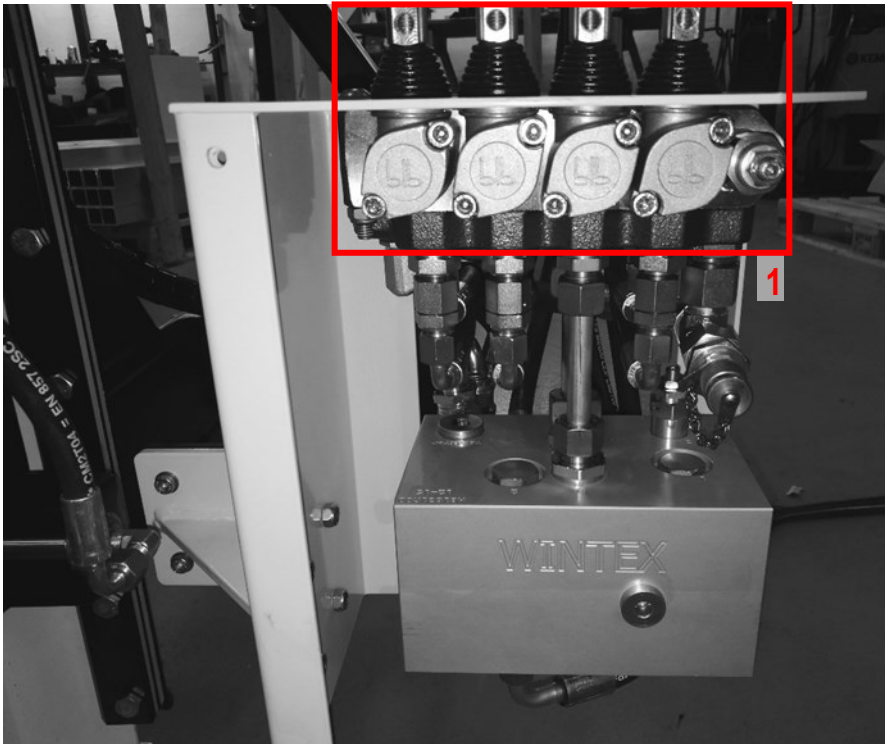
PART	ART. NO.	ARTICLE
1	17101050	End bushing
2	17101024	Toothed rack M5
3	17101052	Center bushing
4	17101051	Cylinder pipe
5	17101059	Outer gasket f. end bushing
6	17101057	PTBR guiding f. end bushing
7	17101056	Inner gasket f. end bushing
8	17101058	O-ring f. end bushing
9	17101054	Guiding strip f. center bushing
10	17101055	Double-acting piston seal
11	60101284	Insex bolt, M8x30 mm, A2
12	60101073	Plain washer, M8 mm
13	60101058	Washer, M8 mm
14	60101063	Lock nut, M8 mm
15	17101053	Hub axle nut, M20x1 mm

Hammer carriage



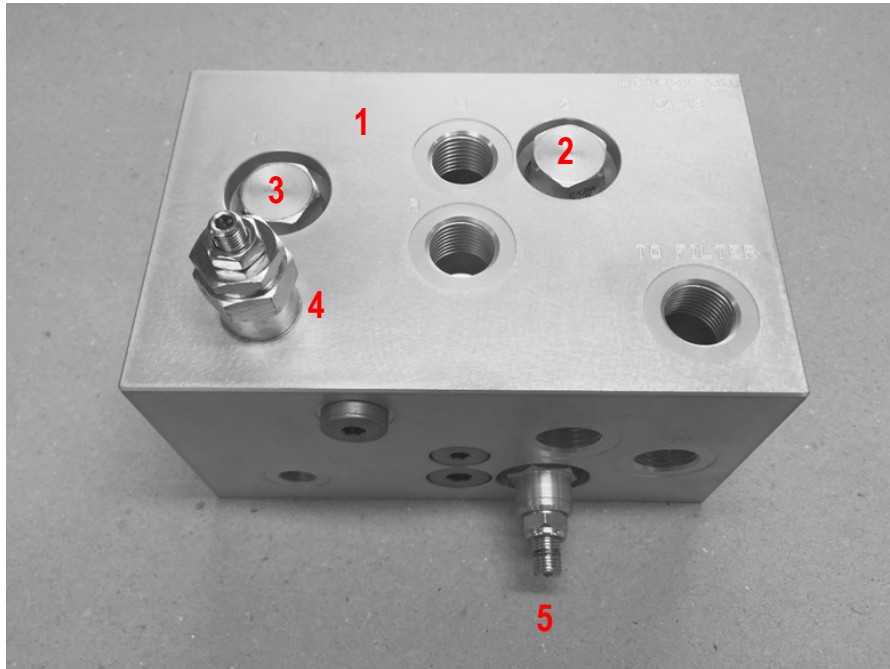
PART	ART. NO.	ARTICLE
1	17101023	Sprocket w. hub f. rotation
2	17101092	Bolt f. probe w. split pins, new type
3	17101043	Plastic bearing
4	17101042	Bearing housing
5	17101044	Shim ring
6	17101045	Outer circlip
7	17101011	Hammer fitting
8	17101100	Nylonl wheel

Control panel



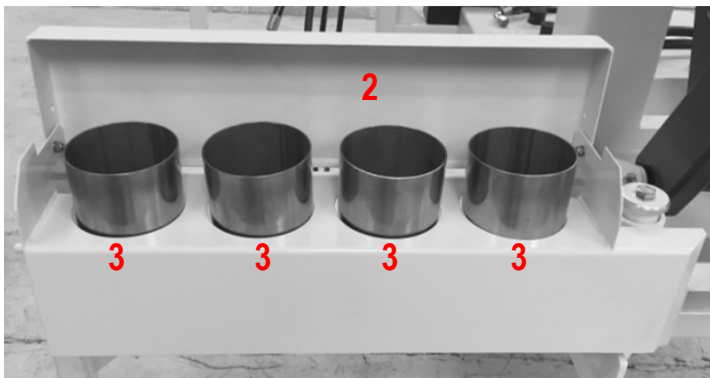
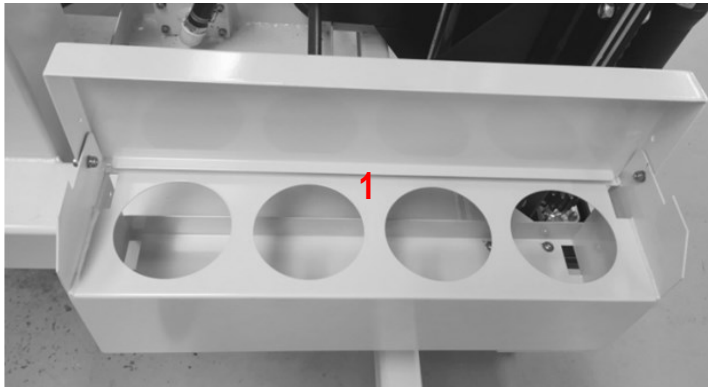
PART	ART. NO.	ARTICLE
1	17101014	Control panel
2	17101088	Instruction plate f. control panel
3	17101038	Manometer
4	17101085	Cover valve block, top
5	17101084	Cover valve block, side
6	17101103	Angle hinge f. cover of valve block

Valve block



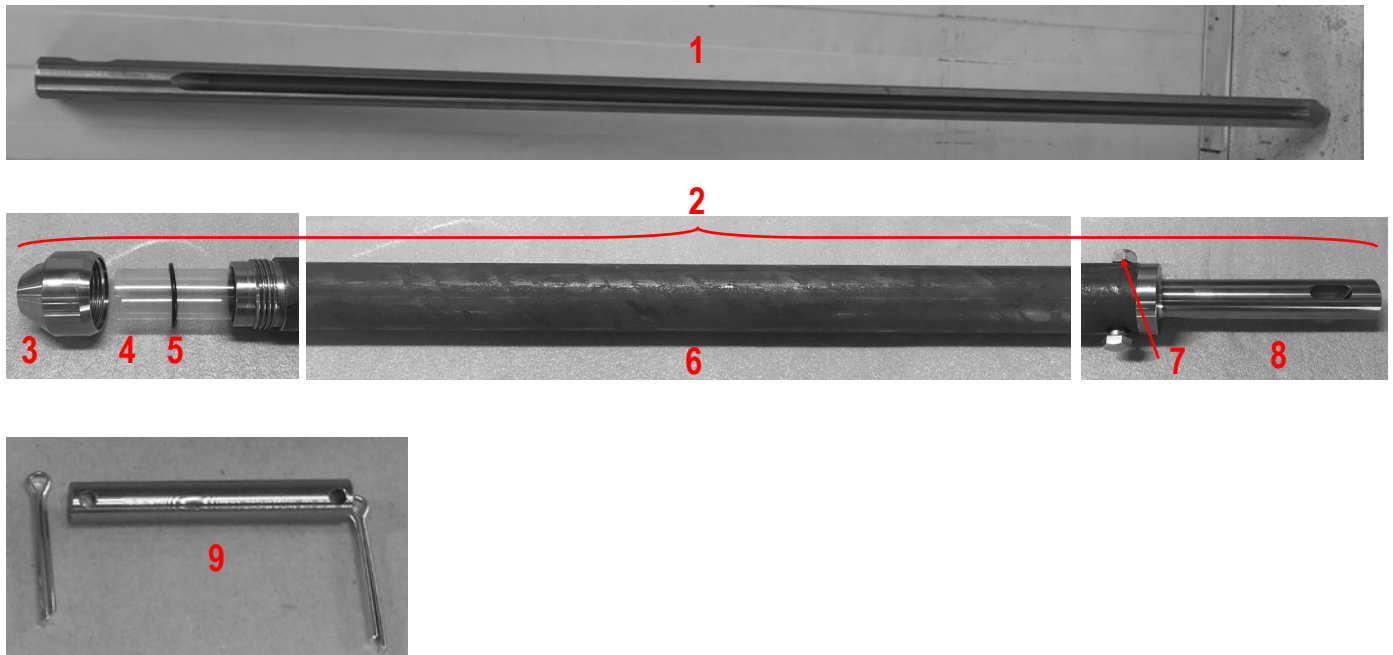
PART	ART. NO.	ARTICLE
1	17101102	Valve block
2	17101115	Counter valve CXDA XCN
3	17101116	Counter valve LKDC XDN
4	17101117	Valve f. pressure reduction
5	17101118	Excess-pressure valve

Soil box



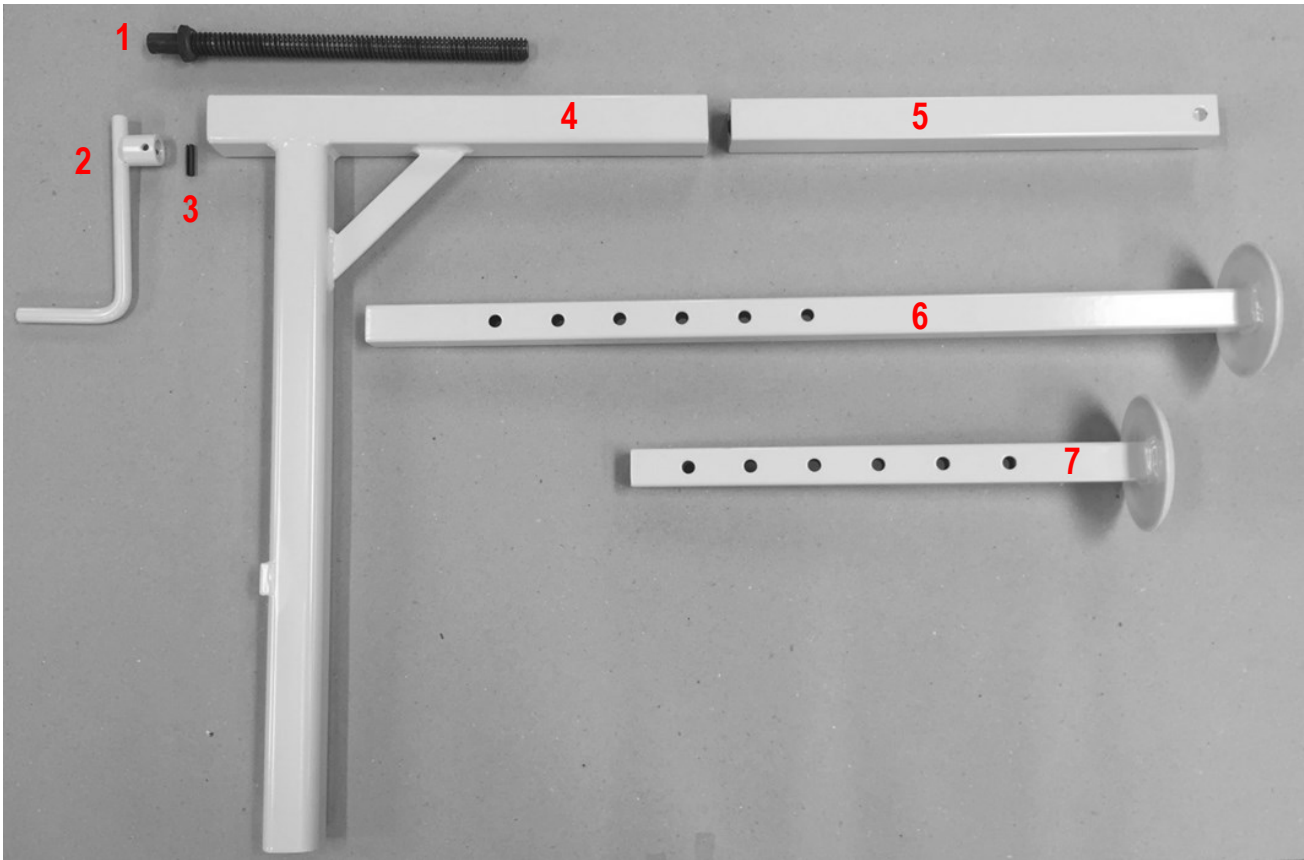
PART	ART. NO.	ARTICLE
1	17101099	Frame f. soil bins
2	17101081	Lit f. soil bins
3	17101005	Soil bin
4	17101083	Angle hinge f. frame f. soil bins
5	17101006-15	Sampling scoop f. probe with 15 mm slit
	17101006-18	Sampling scoop f. probe with 18 mm slit
6	17101008	Scraper

Probes



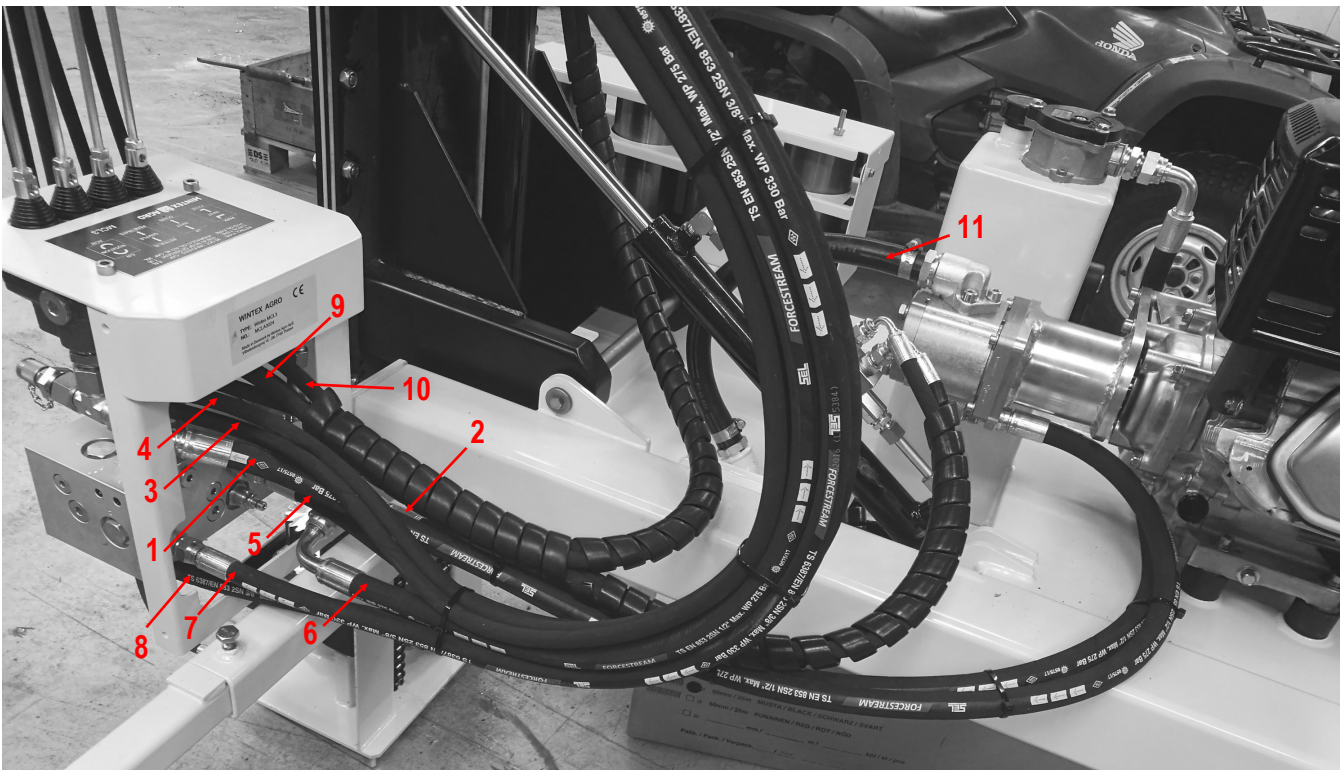
PART	ART. NO.	ARTICLE
1	17101001	Probe 120 cm, 18 mm slit
	17101002	Probe 120 cm, 15 mm slit
	17101040	Probe 200 cm, 18 mm slit
	17101041	Probe 200 cm, 15 mm slit
2	17101104	Probe f. plastic liner
3	17101106	Cutting shoe f. probe f. plastic liner
4	17101105-66	Plastic liner, 66 pcs., w. accessoires
5	17101141	O-ring f. cutting shoe of probe
6	17101107	Pipe of probe w. plastic liner
7	60101291	Bolt, M10x70 mm
8	17101108	Top of probe f. plastic liner
9	17101092	Bolt f. probe w. split pins, new type

Support legs



PART	ART. NO.	ARTICLE
1	17101079	Spindle f. support leg
2	17101078	Handle f. support leg
3	17101120	Spring roll pin f. handle
4	17101077	Fitting f. support leg
5	17101119	Pipe f. spindle f. support leg
6	17101075	Support leg, long
7	17101076	Support leg, short

Hoses



PART	ART. NO.	ARTICLE
1	17101030	Rotation hose, 3200 mm
2	17101029	Rotation hose, 3300 mm
3	17101027	Pressure hose f. pump, 1400 mm
4	17101034	Pressure hose probe down, 1790 mm
5	17101031	Pressure hose f. hammer, 2560 mm
6	17101033	Pressure hose probe up, 1810 mm
7	17101032	Return hose f. hammer, 2750 mm
8	17101035	Hose f. mast, 1200 mm
9	17101036	Hose f. mast, 950 mm
10	17101028	Return hose f. pump, 1350 mm
11	14101150	Suction hose 3/4"