

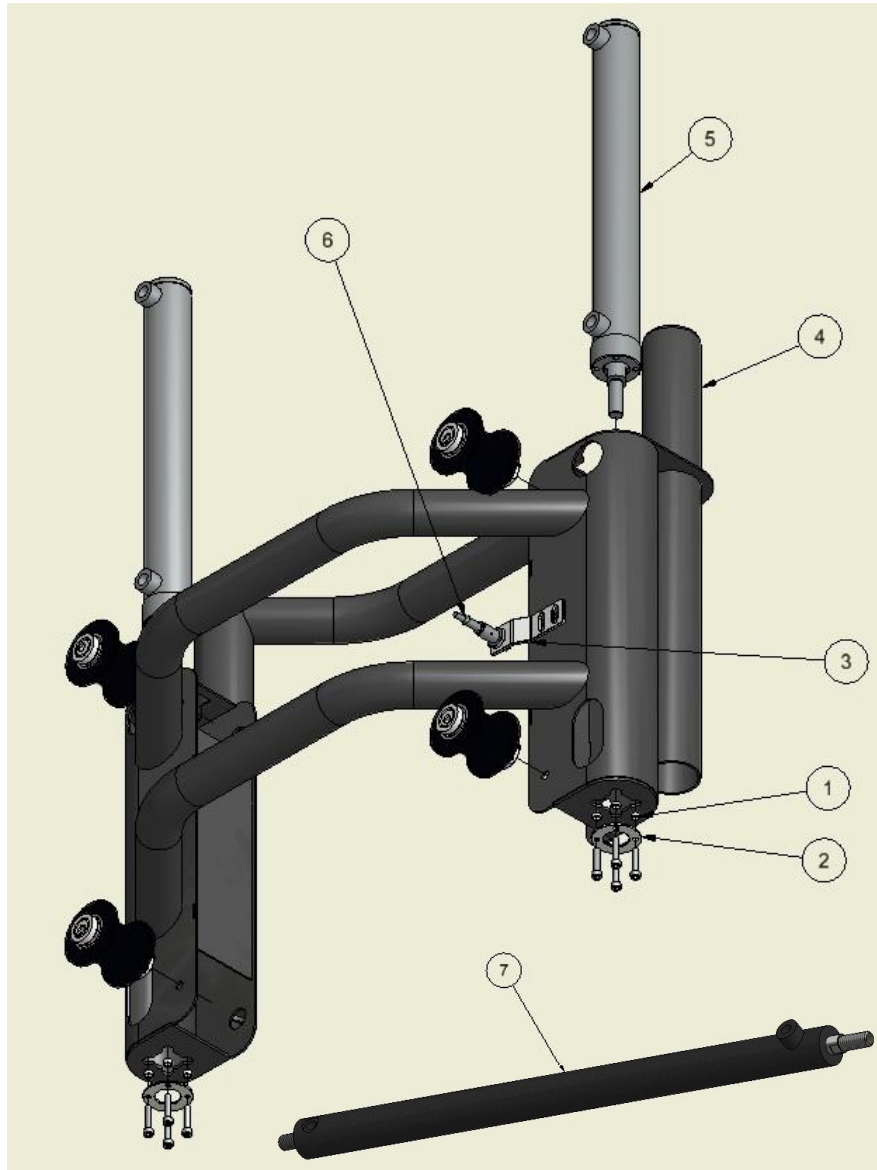
Spare parts catalogue Wintex 1000s



 **WINTEX**
1000s

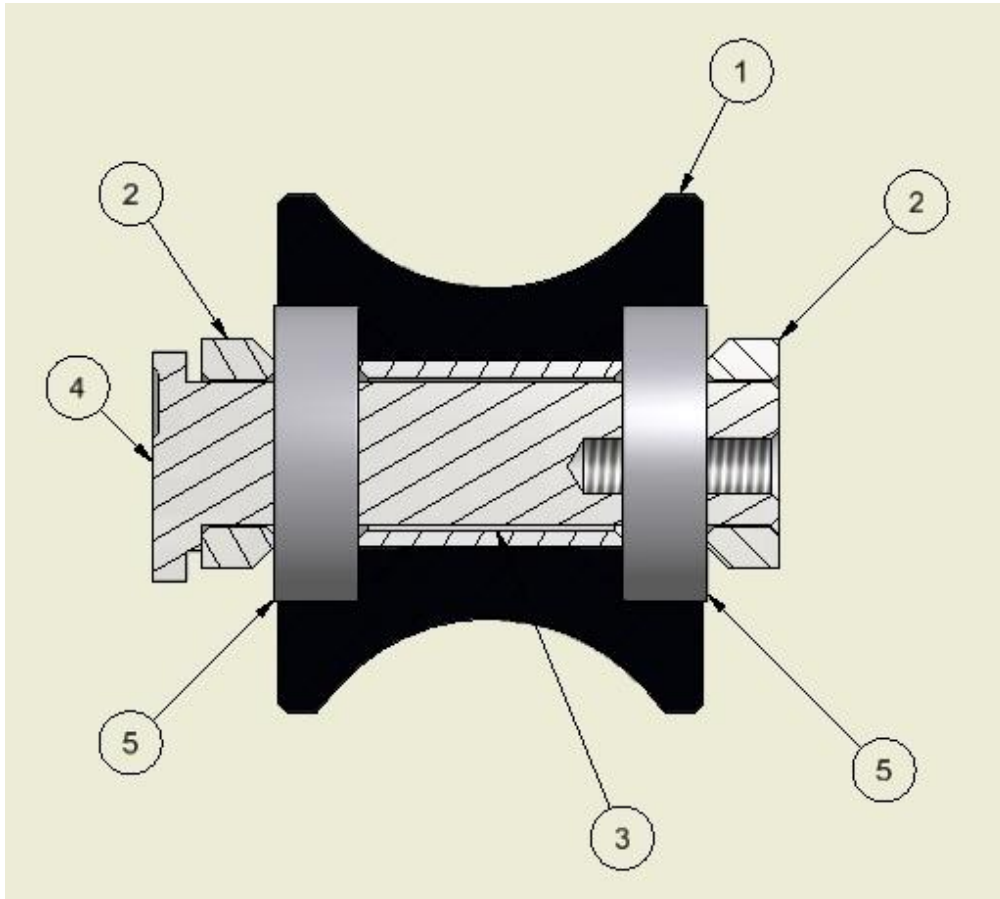


Fixed frame



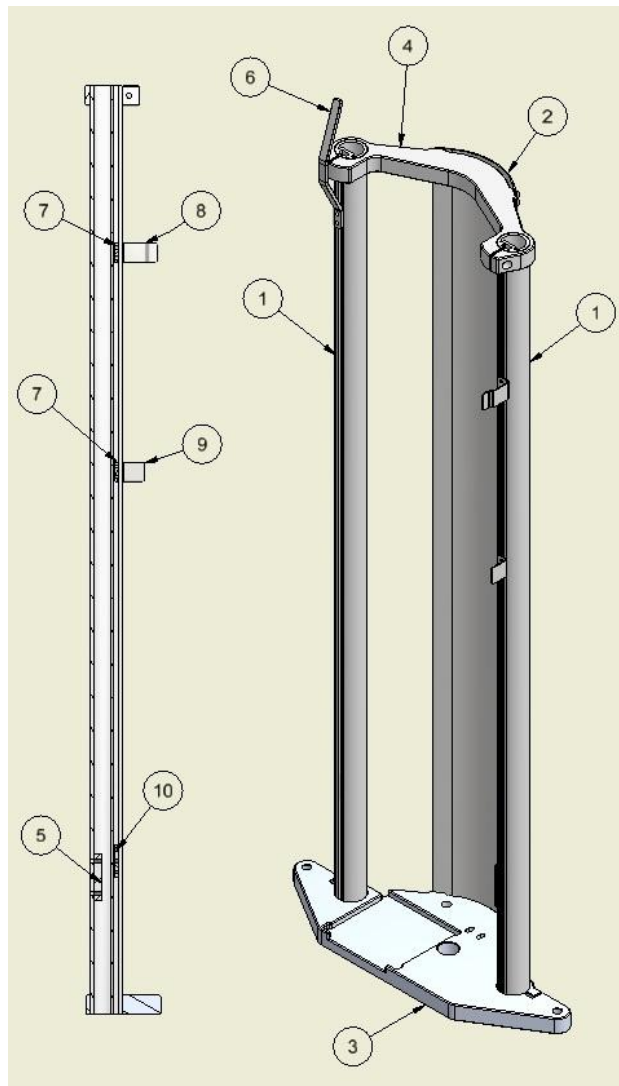
PART NO.	ART. NO.	DESCRIPTION
1	18101014	Spacer ring f. Jack cylinder
2	18101015	Cylinder washer
3	18101016	Sensor fitting
4	18101017	Fixed frame
5	18101019	Jack cylinder V12
6	18101020	Sensor
7	18101101	Hammer cylinder

GUIDING ROLL



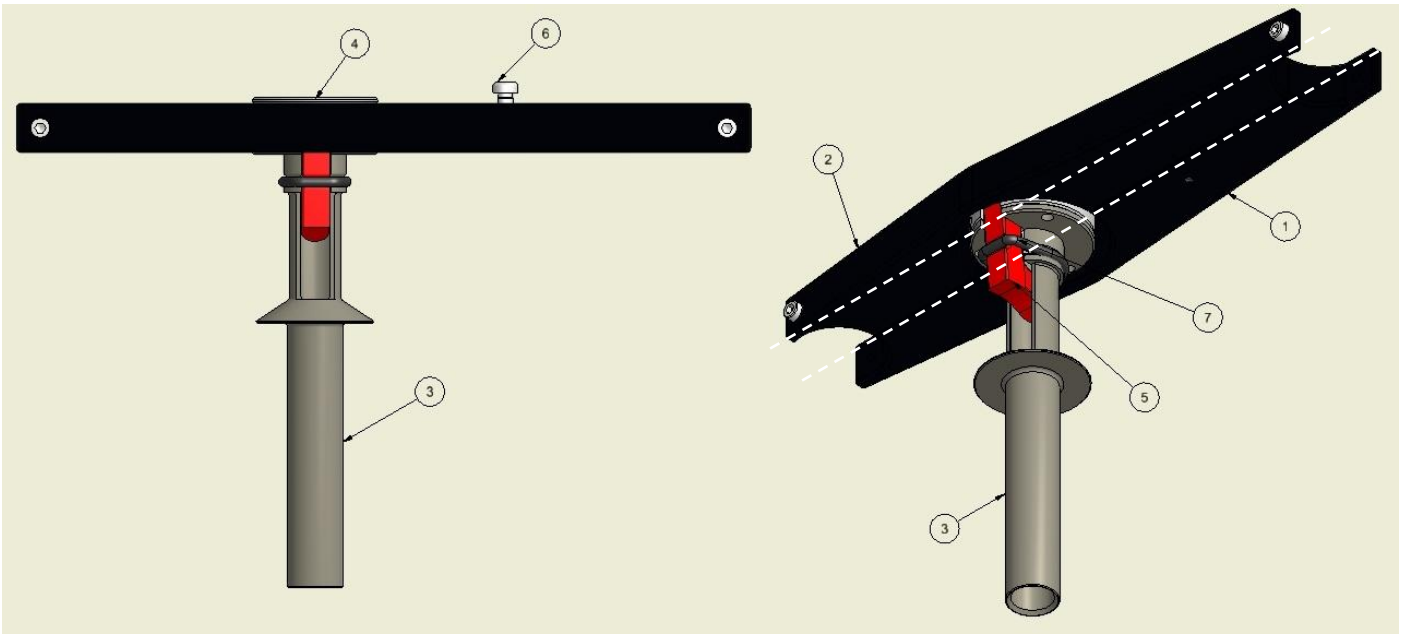
PART NO.	ART. NO.	DESCRIPTION
1	18101038	Guiding roll
2	18101042	Spacer ring guiding roll
3	18101043	Bushing
4	18101044	Eccentric bolt
5	18101048	1 bearing

LOWERING FRAME



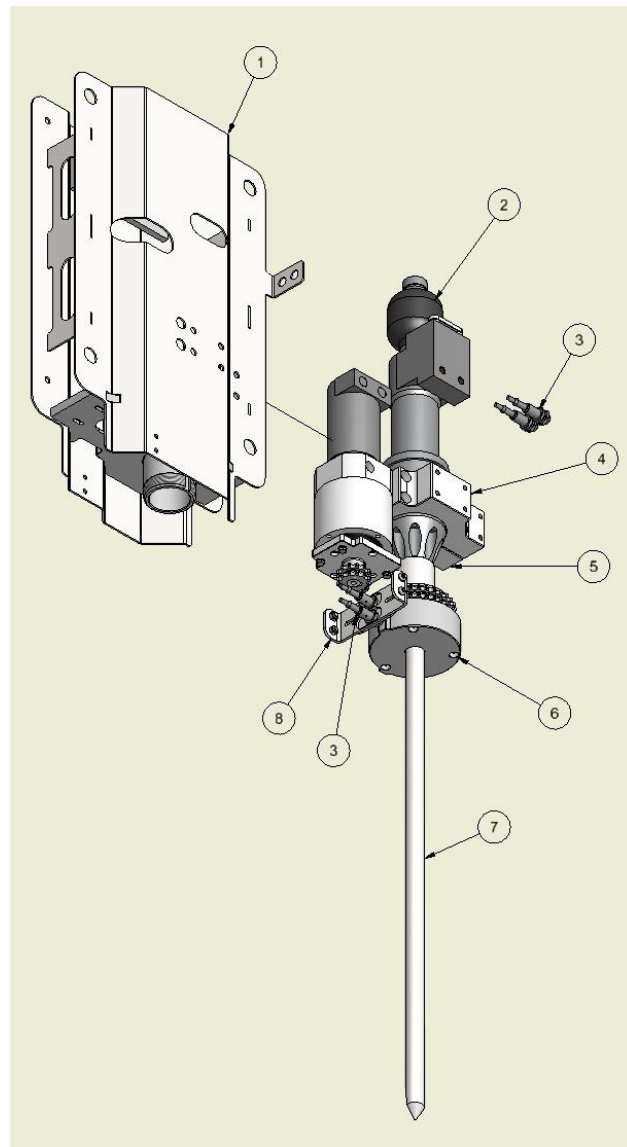
PART NO.	ART. NO.	DESCRIPTION
1	18101021	Guiding pipe
2	18101022	Outer cover
3	18101023	Bottom plate
4	18101024	Top plate
5	18101025	Retaining plate f. scraper unit
6	18101026	Hose guide
7	18101027	Retaining plate M6-C16
8	18101028	Sensor plate 1
9	18101030	Sensor plate 2
10	18101031	Key 3xM6

SCRAPER UNIT



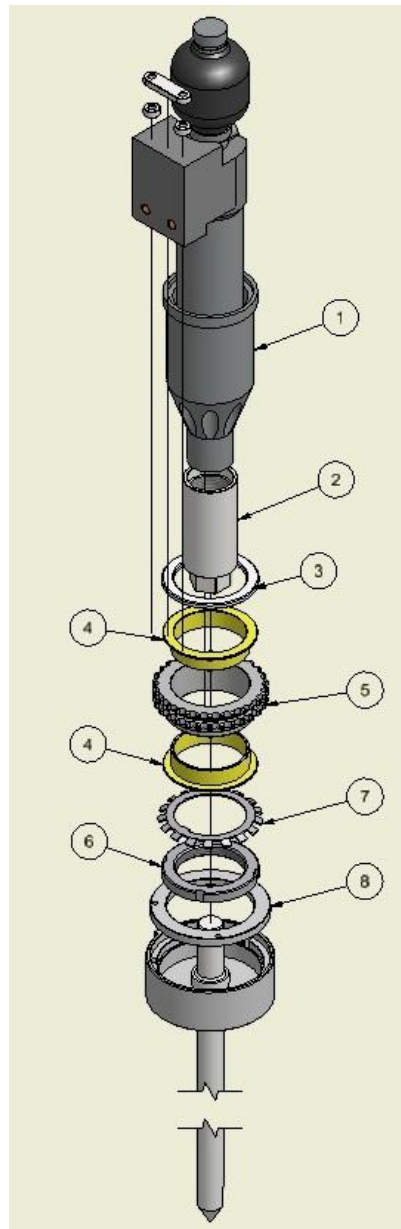
PART NO.	ART. NO.	DESCRIPTION
1	18101032	Retainer f. scraper unit, back
2	18101033	Retainer f. scraper unit, front
3	18101034-22	Steering pipe f. 22 mm probe
3	18101034-26	Steering pipe f. 26 mm probe
4	18101005-22	Revolving platform f. 22 mm probe
4	18101005-26	Revolving platform f. 26 mm probe
5	18101003-22	Scraper f. 22 mm probe
5	18101003-26	Scraper f. 26 mm probe
6	18101035	Fitted bolt
7	18101004	O-ring f. scraper
-	18101036	Spring roll pin 8x30 mm

HAMMER CARRIAGE



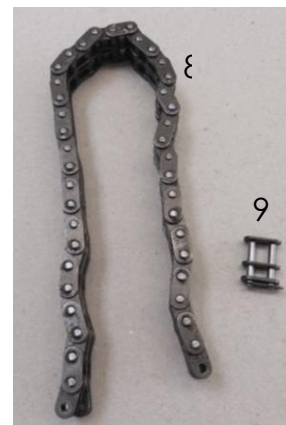
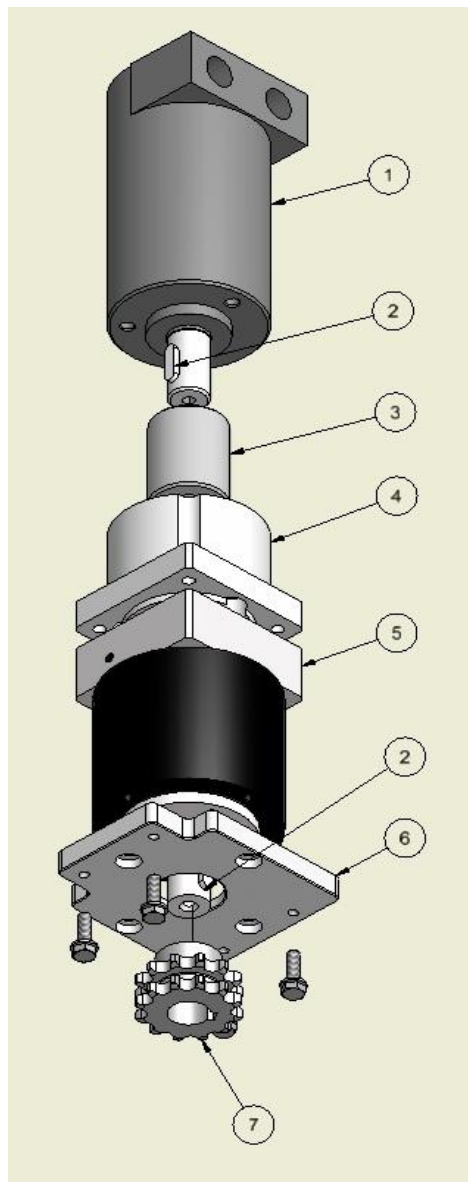
PART NO.	ART. NO.	DESCRIPTION
1	18101064	Motor carriage
2	18101054	Hydraulic hammer
3	18101020	Sensor
4	18101098	Hammer fitting A
5	18101099	Hammer fitting B
6	18101106-22	Rotary sensor plate f. 22 mm probe
6	18101106-26	Rotary sensor plate f. 26 mm probe
7	18101001-22	Probe 22 mm
7	18101001-26	Probe 26 mm
8	18101065	Sensor retainer

HAMMER CARRIAGE



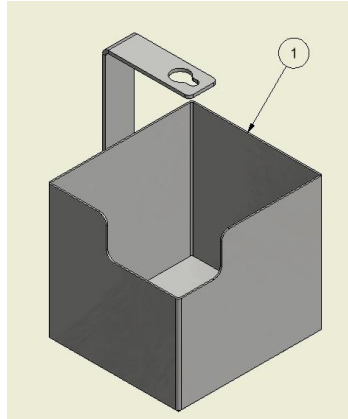
PART NO.	ART. NO.	DESCRIPTION
1	18101037	Bottom part hammer
2	18101117	Probe retainer
3	18101041	Spacer ring
4	18101045	Slide bearing
5	18101046	Gearwheel f. rotation, 30 teeth
6	18101052	Nut M60x2 mm
7	18101053	Lock washer
8	18101049	Spacer washer

HAMMER CARRIAGE



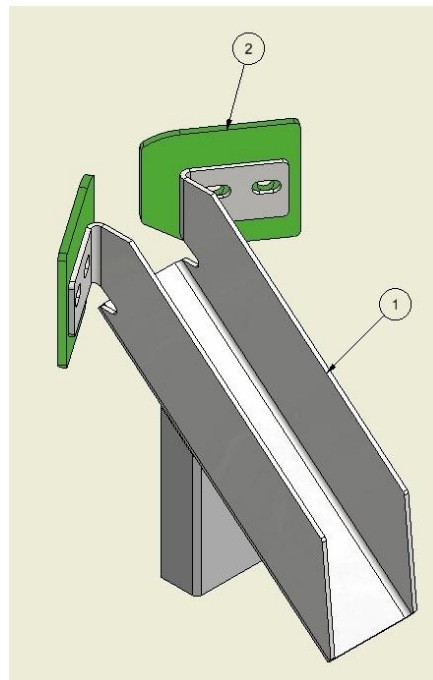
PART NO.	ART. NO.	DESCRIPTION
1	18101056	Oil motor
2	18101050	Parallel key f. gearwheel
3	18101040	Gear shaft
4	18101039	Gear adaptor
5	18101055	Planetary gear
6	18101095	Bottom plate hammer carriage
7	18101047	Gearwheel f. rotation, 12 teeth
8	18101105	Chain f. rotation
9	18101104	Chain joint

SOILBOX



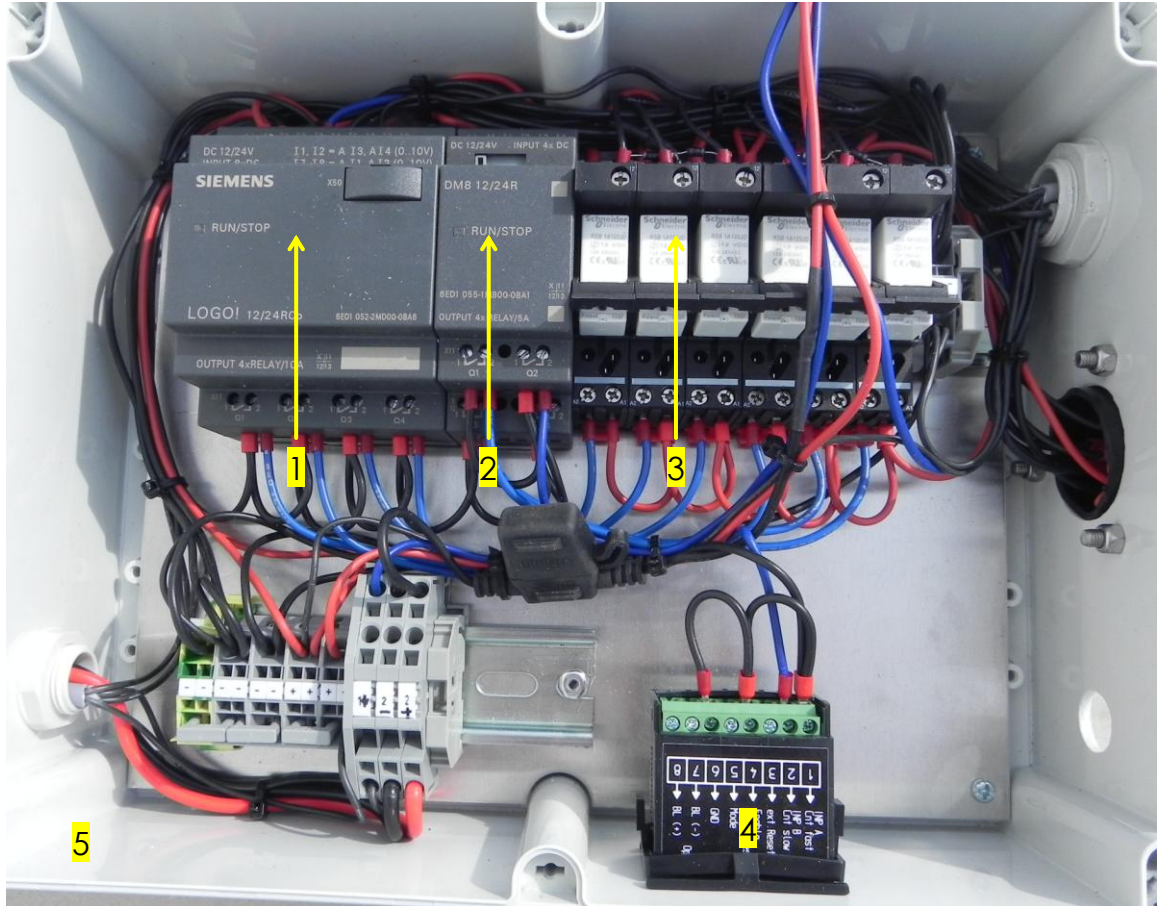
PART NO.	ART. NO.	DESCRIPTION
1	18101011	Soil box

FUNNEL FOR EMPTYING



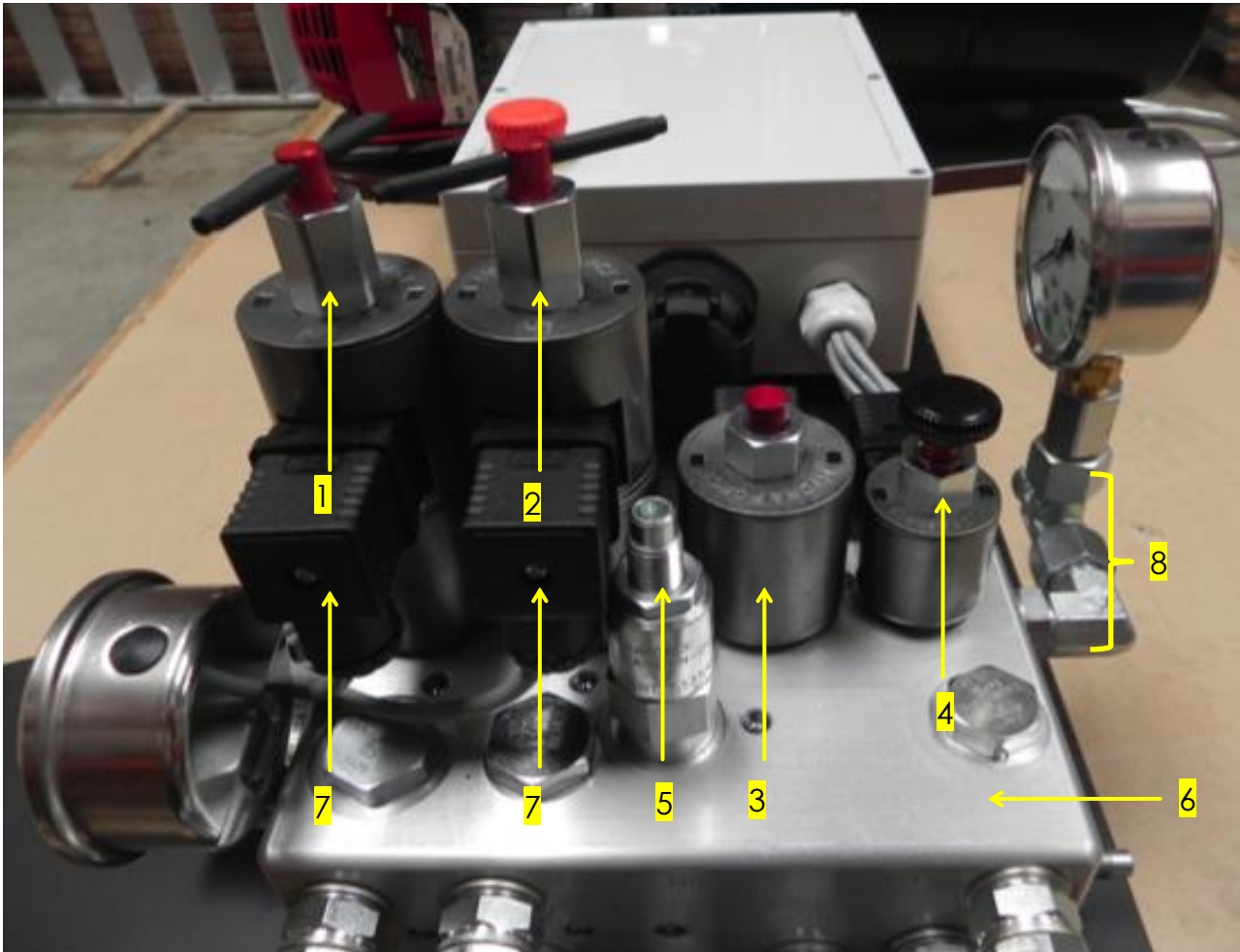
PART NO.	ART. NO.	DESCRIPTION
1	18101066	Retainer for emptying
2	18101012	Scraper blade

ELECTRICITY BOX



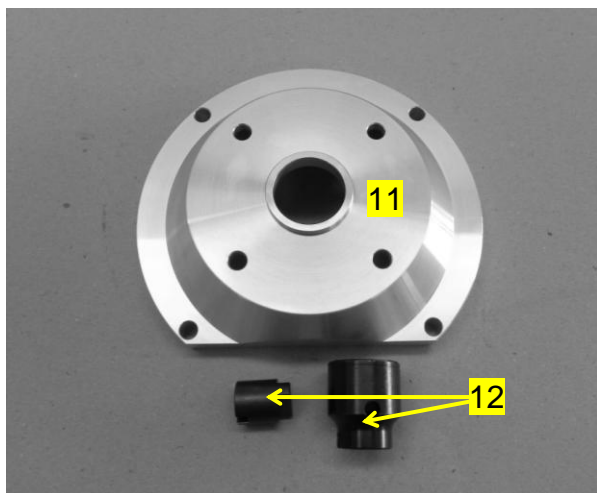
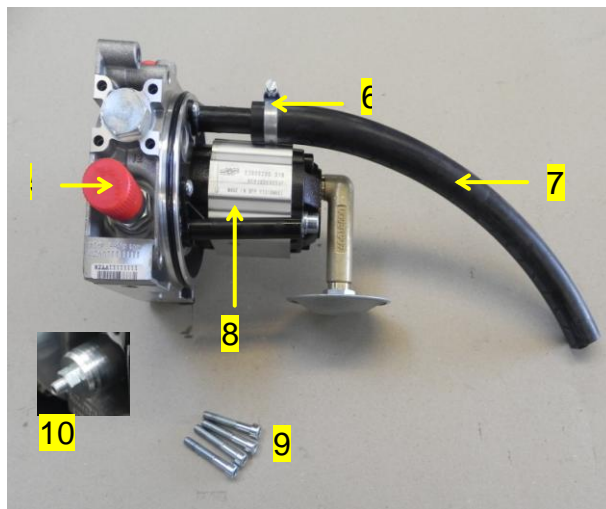
PART NO.	ART. NO.	DESCRIPTION
1	18101067	PLC-logo w. programme
2	18101068	Logo extension
3	18101069	Plug-in relay 12 V
4	18101089	Counter
5	18101091	Electricity box complete

HYDRAULIK BLOCK WITH VALVES



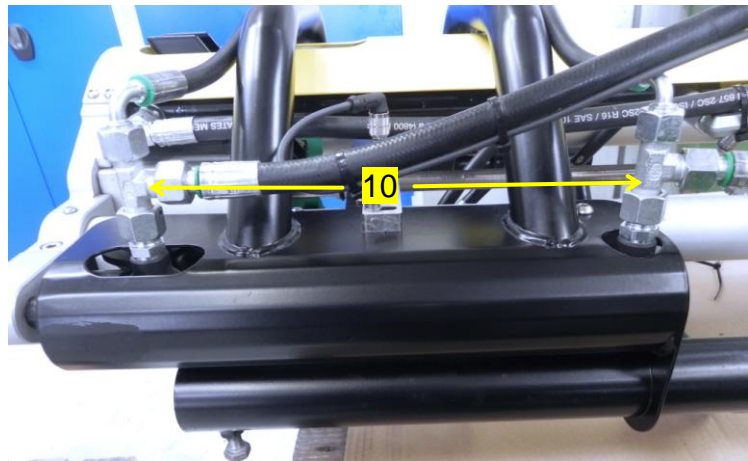
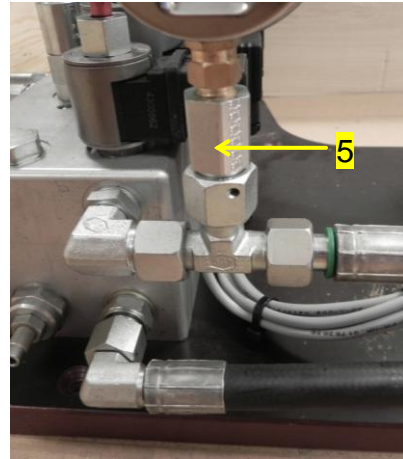
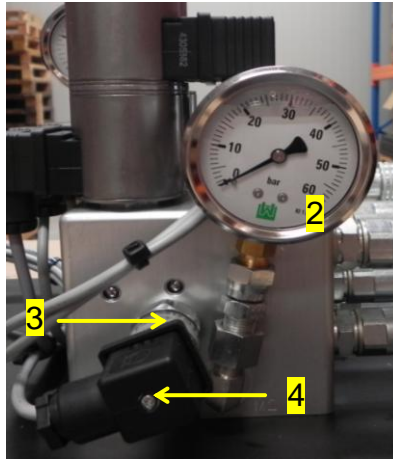
PART NO.	ART. NO.	DESCRIPTION
1	18101070	Valve coil lowering frame up/down
2	18101071	Valve coil probe up/down
3	18101072	Valve coil f. rotation
4	18101073	Main valve
5	18101074	Adjustable valve f. probe/hammer
6	18101075	Valve block
7	18101093	3-pole plug
8	18101013	Manometer connection

HYDRAULIC PUMP WITH TANK



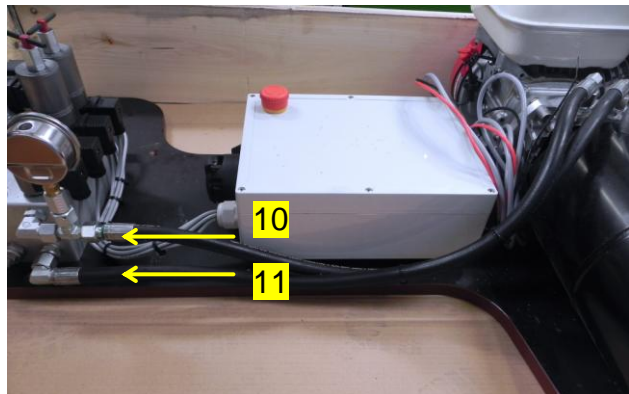
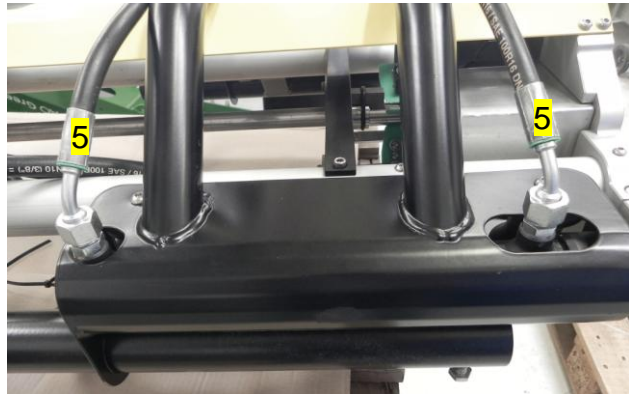
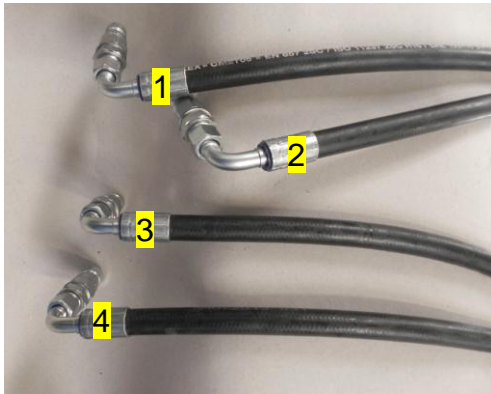
PART NO.	ART. NO.	DESCRIPTION
1	18101080	Oil tank, 8 l
2	18101077	Oil level rod w. filter cap
3	18101079	Nipple pipe 100 mm
4	18101078	Reduction 3/4" to 1/2"
5	18101006	Cap f. excess-pressure valve
6	18101063	Band clamp
7	18101090	Return hose
8	18101100	Oil pump 6,3CC
9	18101103	Bolt, 6x40 mm
10	18101085	Excess-pressure valve
11	18101121	Flange
12	18101007	Motor coupling
13	18101081	Bottom plate f. hydraulic unit

HYDRAULICS



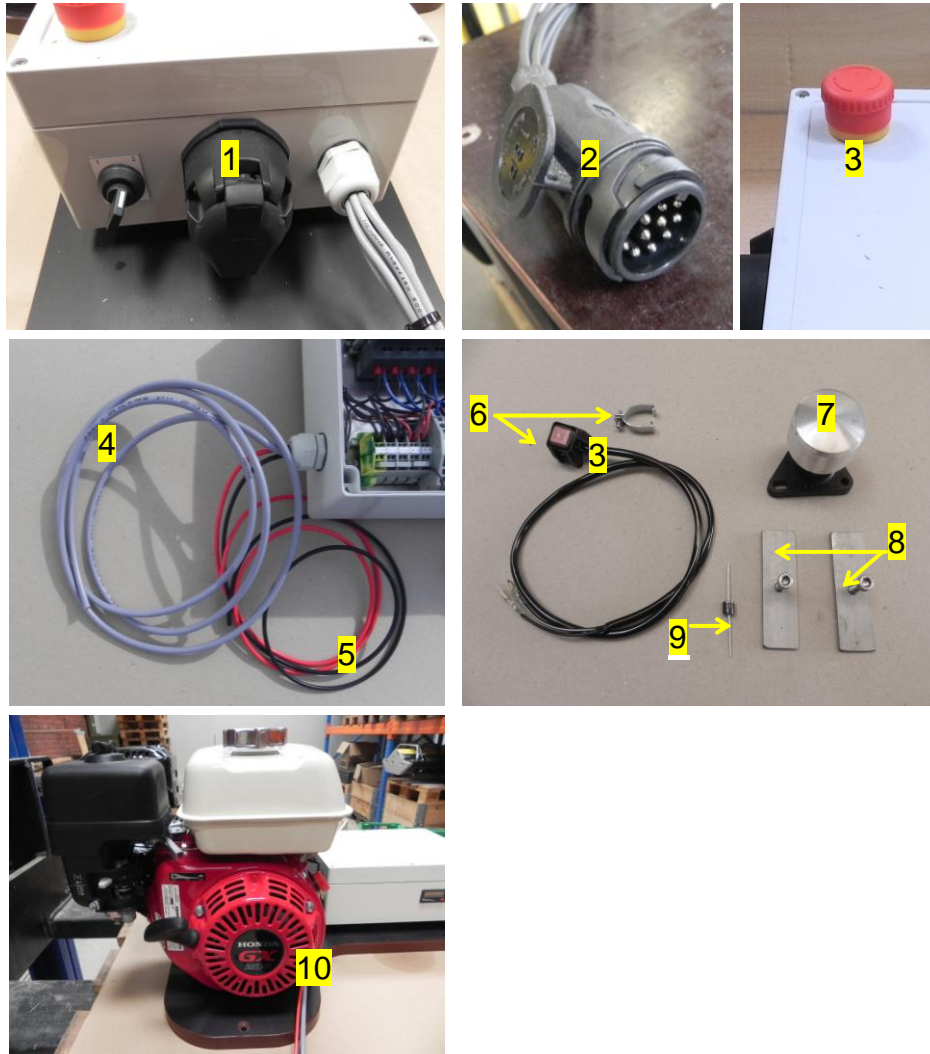
PART NO.	ART. NO.	DESCRIPTION
1	18101086	Manometer 0-160 bar
2	18101087	Manometer 0-60 bar
3	18101088	Pressure switch 5-50 bar
4	18101094	4-pole plug
5	18101058	Valve shut-off
6	18101084	Female coupling 3/8"
7	18101102	Male coupling 3/8"
8	18101122	O-ring f. female coupling
9	18101123	Wiper ring
10	18101124	T-adaptor w. compression nut

HYDRAULIC HOSES



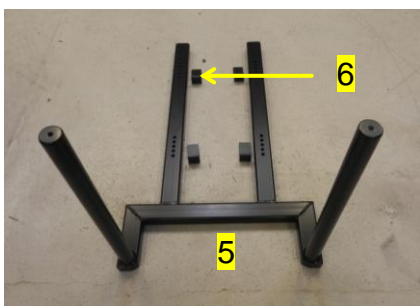
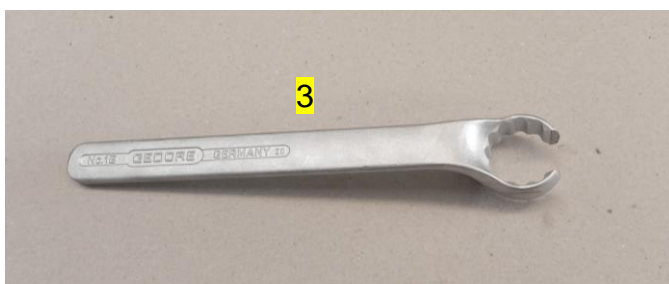
PART NO.	ART. NO.	DESCRIPTION
1	18101107	Hose A1 , 820 mm
2	18101108	Hose A2 , 1600 mm
3	18101110	Hose B1 , 1080 mm
4	18101111	Hose B2 , 1100 mm
5	18101125	Hose f. Jack cylinder
6	18101109	Hose A3 , 1600 mm
7	18101112	Hose B3 , 1700 mm
8	18101113	Hose H , 1730 mm
9	18101116	Hose T2 , 1640 mm
10	18101114	Hose P , 780 mm
11	18101115	Hose T , 810 mm

ELECTRICITY AND MOTOR



PART NO.	ART. NO.	DESCRIPTION
1	18101083	13-pole female plug
2	18101082	13-pole male plug
3	18101061	Emergency stop
4	18101126	4-wire cable
5	18101127	12 V cable
6	18101119	Start switch
7	18101097	Foot switch
8	18101128	Fitting f. foot switch
9	18101096	Diode
10	18101092	Honda motor 200GX

VARIOUS PARTS



PART NO.	ART. NO.	DESCRIPTION
1	18101060	Funnel f. filling of bags
2	18101118	Support rod
3	18101120	Wintex special key
4	18101059	Label Wintex 1000s
5	18101129	Mounting frame
6	18101057	Fitting f. mounting frame