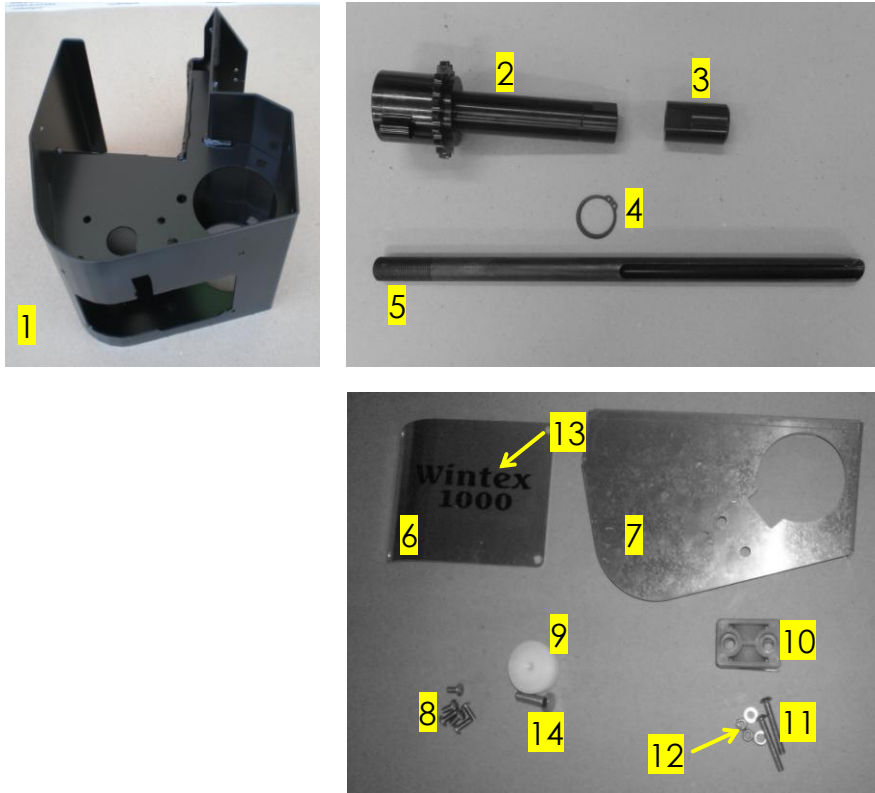


Spare parts catalogue WINTEX 1000

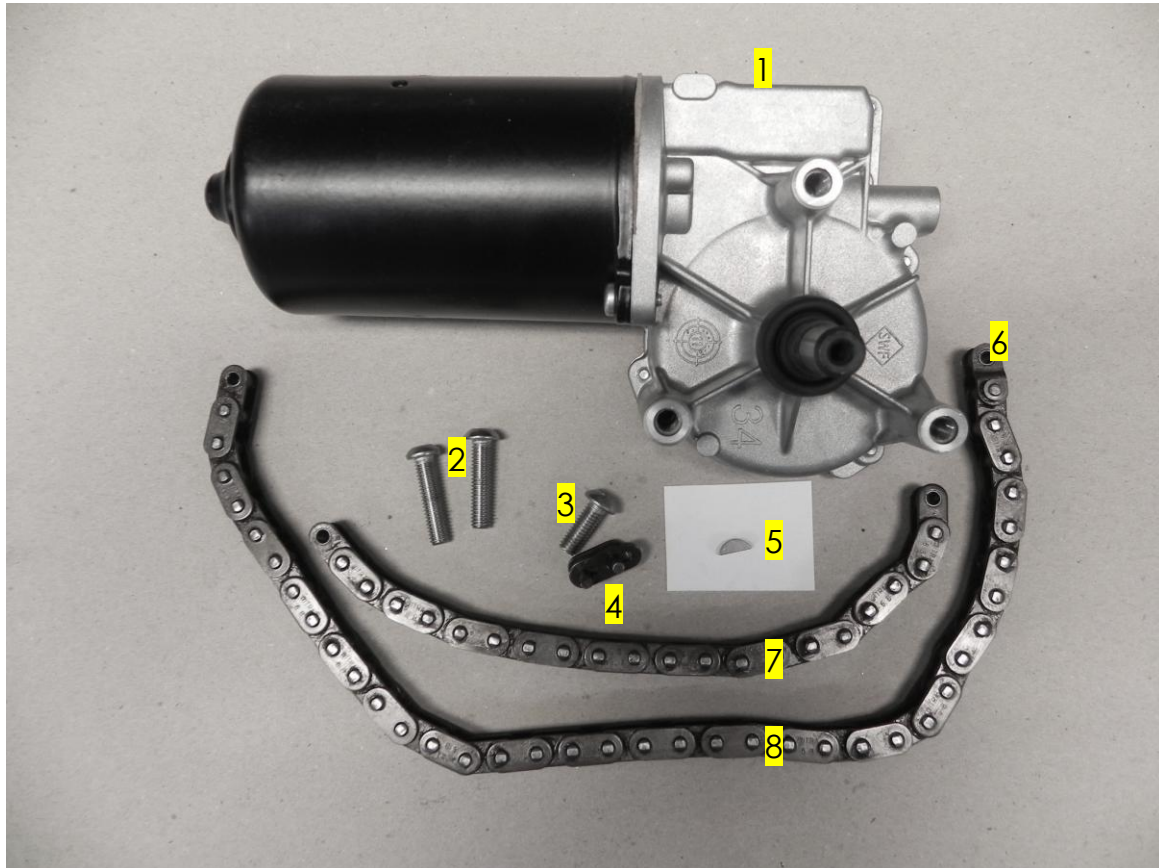


DRILLING HEAD



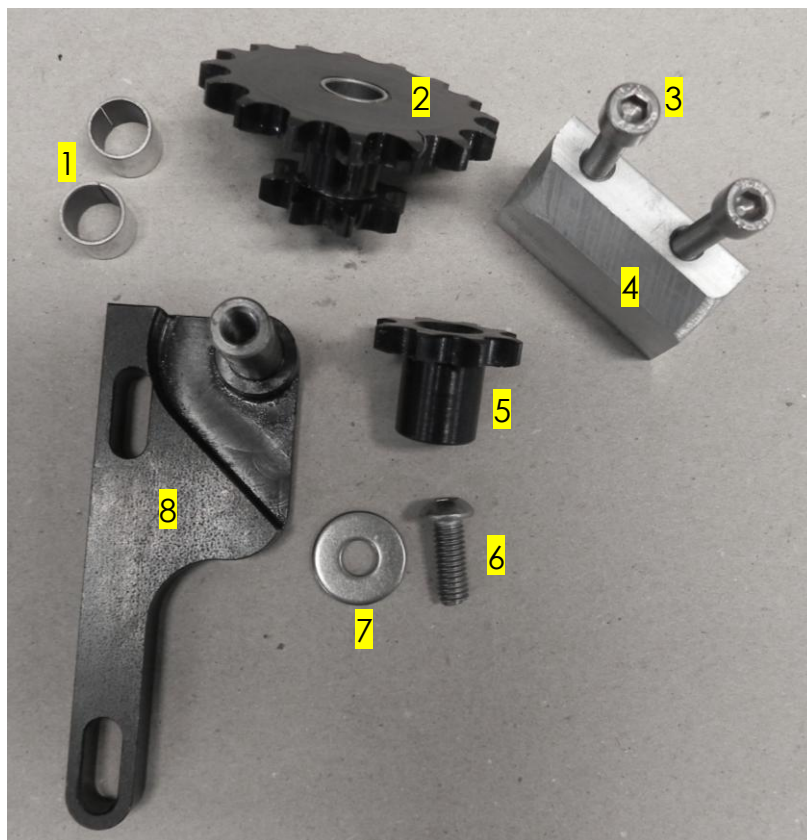
PART NO.	ART.NO.	ARTICLE
1	15101023	Drilling head
2	15101027-18	Hub for 18 mm probe
2	15101027-21	Hub for 21 mm probe
3	15101104-18	Nut for probe 18 mm
3	15101104-21	Nut for probe 21 mm
4	15101105	Circlip
5	15101000-18	Probe with thread, 18 mm
5	15101000-21	Probe with thread, 21 mm
6	15101031	Cover front
7	15101033	Cover top
8	15101012	Insex screw, low head, M5x12 mm
9	15101034	Chain tightener
10	15101106	Sensor holder, 18 mm
11	15101013	Button Head, M5x35 mm
12	15101068	Lock nut, M5 mm
13	15101178	Label WINTEX 1000
14	15101258	Hex bolt, M8x25 mm
-	15101058	Washer, M8 mm

DRILLING HEAD



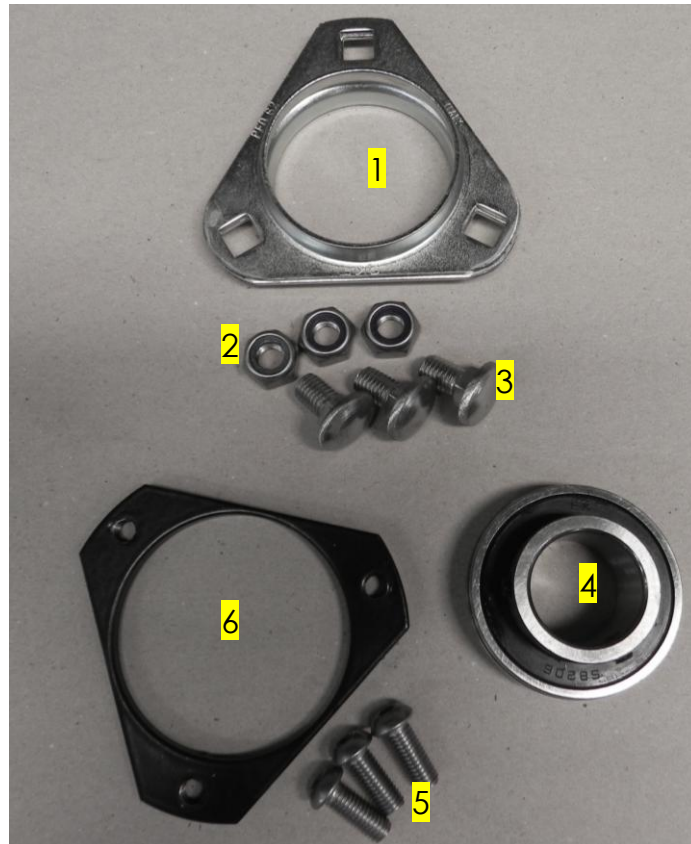
PART NO.	ART.NO.	ARTICLE
1	15101032	Motor for rotation
2	15101240	Insex screw, low head, M6x25 mm
3	15101096	Insex screw, low head, M6x16 mm
4	15101036	Chain connector
5	15101138	Key
6	15101254	Half link
7	15101136	Chain, 22 links
8	15101135	Chain, 39 links

DRILLING HEAD



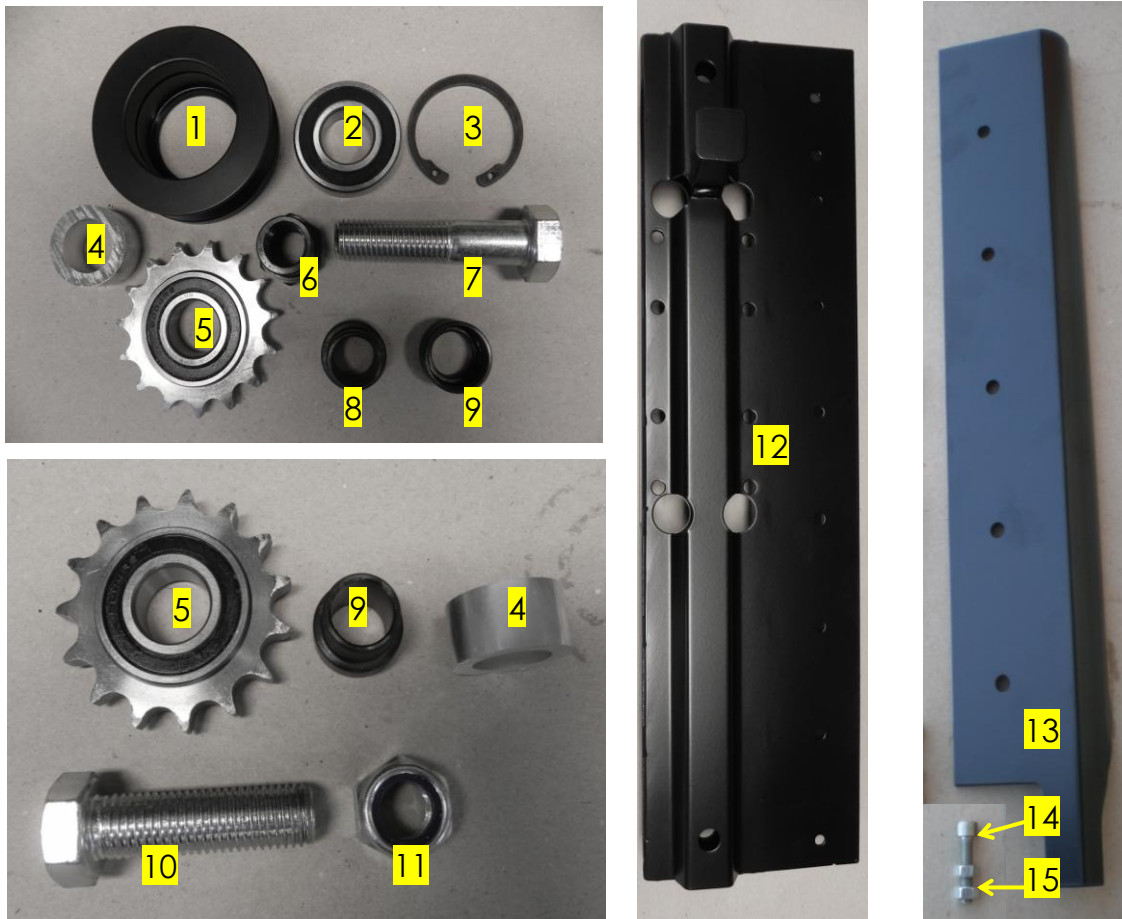
PART NO.	ART.NO.	ARTICLE
1	15101030	Bushing for gearwheel 8/16
2	15101133	Gearwheel, 8/16 teeth
3	15101069	Insex-bolt, M5x20 mm
4	15101107	Cable bearer
5	15101029	Gearwheel, 8 teeth
6	15101096	Insex screw, low head, M6x16 mm
7	15101166	Plain washer, 6 mm
8	15101134	Mounting plate for gearwheel
-	15101260	Countersunk bolt, M6x10 mm
-	15101261	Machine screw, M4x10 mm
-	15101066	Washer, M5 mm

DRILLING HEAD



PART NO.	ART.NO.	ARTICLE
1	15101025	Fitting for bearing
2	15101019	Lock nut, M10 mm
3	15101064	Bolt f. bearing for rotation, 10 mm
4	15101024	Bearing for rotation
5	15101005	Insex screw, low head, M8x20 mm
6	15101026	Mounting plate with thread

MOUNTING PLATE



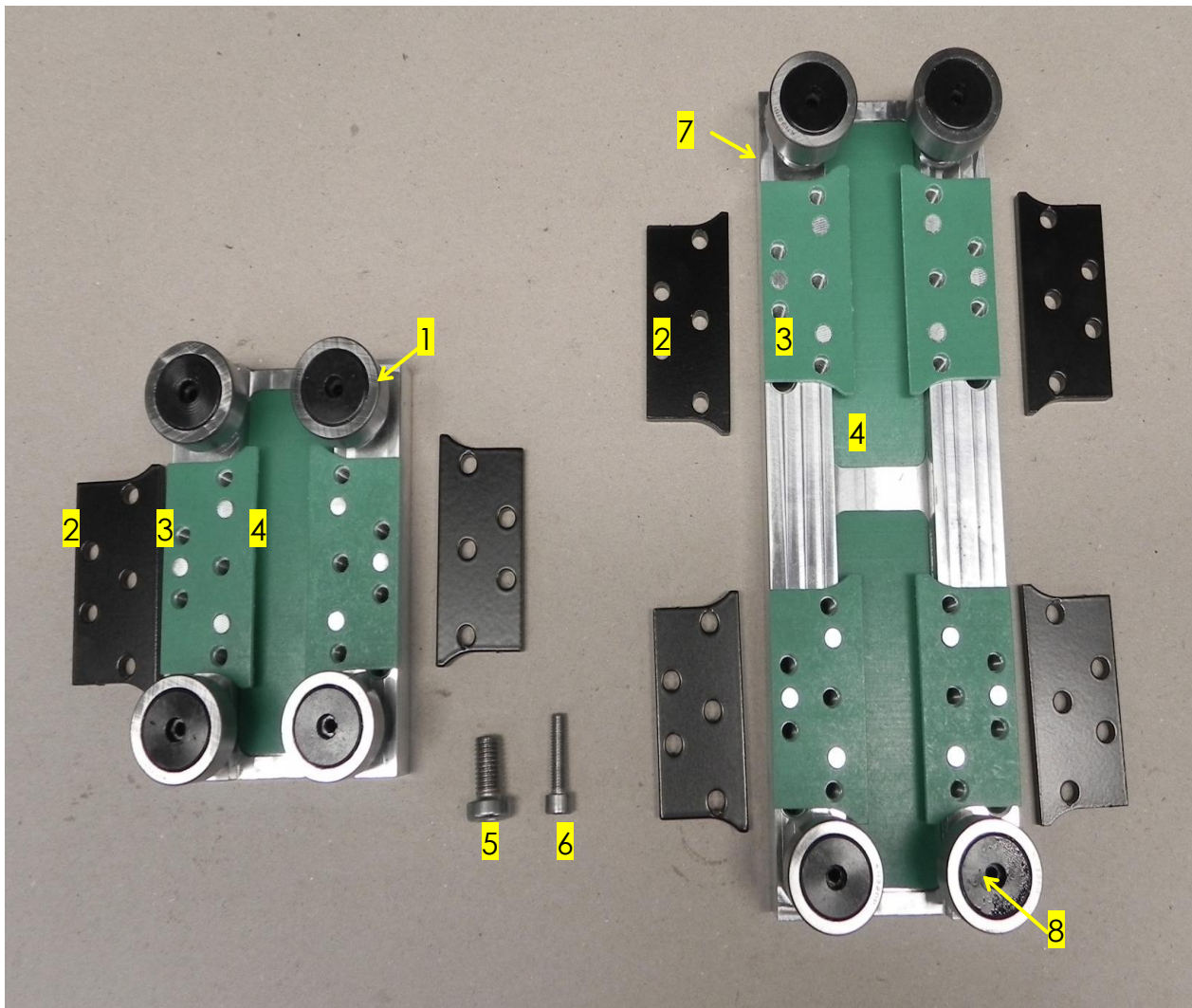
PART NO.	ART.NO.	ARTICLE
1	15101094	Cable wheel
2	15101035	Bearing for cable wheel
3	15101052	Lock ring for cable wheel
4	15101046	Spacer for mounting plate
5	15101092	Chain sprocket wheel with bearing
6	15101099	Nut for cable wheel
7	15101010	Bolt, M16x70 mm
8	15101088	Spacer for cable wheel
9	15101017	Bushing for chain sprocket wheel
10	15101006	Bolt, M16x55 mm
11	15101050	Lock nut, M16 mm
12	15101137	Mounting plate
13	15101093	Slide for soil box
14	15101243	Insex screw, M8x35 mm
15	15101047	Nut, M8 mm

MOUNTING PLATE



PART NO.	ART.NO.	ARTICLE
1	15101048	Aluminium rail, 8x35x600 mm
2	15101005	Insex screw, low head, M8x20 mm
3	15101045	Aluminium rail, 8x35x730 mm

SLEDGE



PART NO.	ART.NO.	ARTICLE
1	15101095-1	Sledge for drilling head
2	15101108	Mounting plate f. PEHD wearing part (6 pcs.)
3	15101097	PEHD wearing part, small (6 pcs.)
4	15101098	PEHD wearing part, big (3 pcs.)
5	15101049	Insex screw, low head, M10x20 mm
6	15101014	Insex screw, M6x25 mm (36 pcs.)
7	15101095-2	Sledge for mounting plate
8	15101095	Cam roller KR32KK (8 pcs.)

SOIL BOXES



1 15101003-1



2 15101003-2



3 15101003-3



4 15101003-4



5 15101002



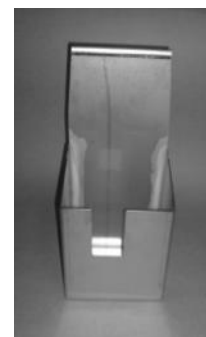
6 15101002-1



7 15101002-2



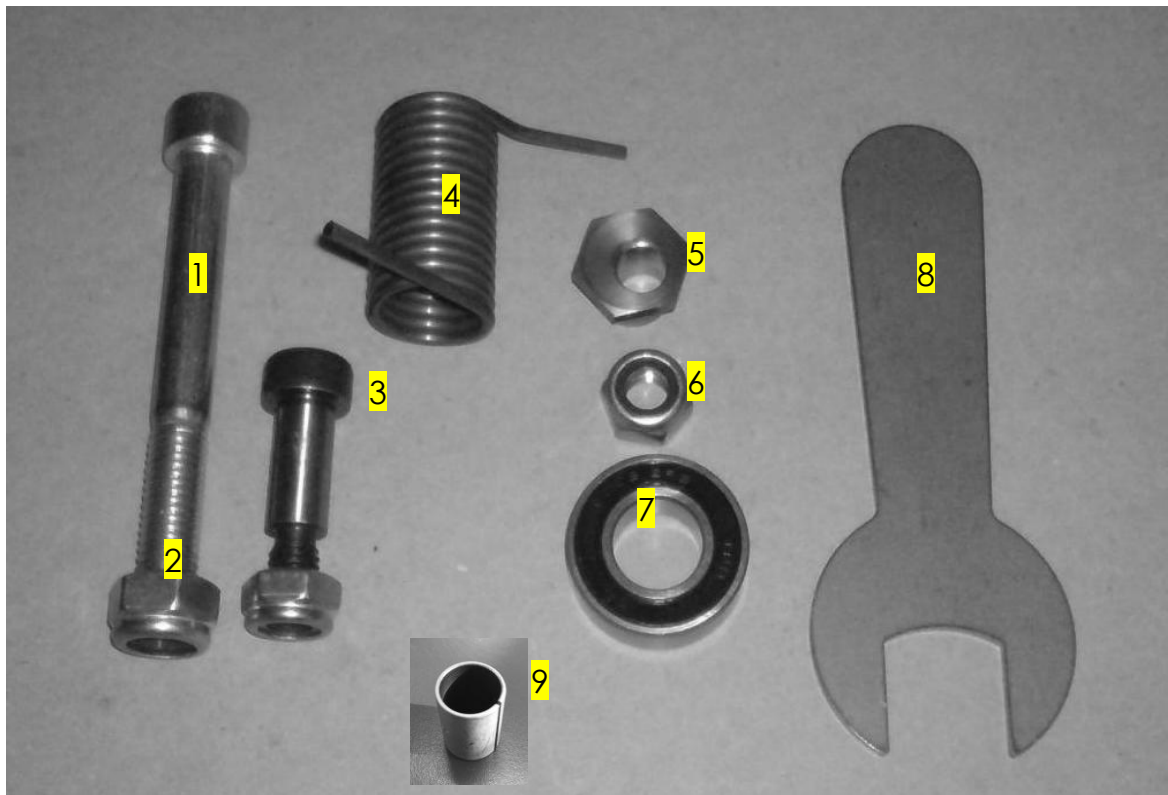
8 15101002-3



9 15101002-4

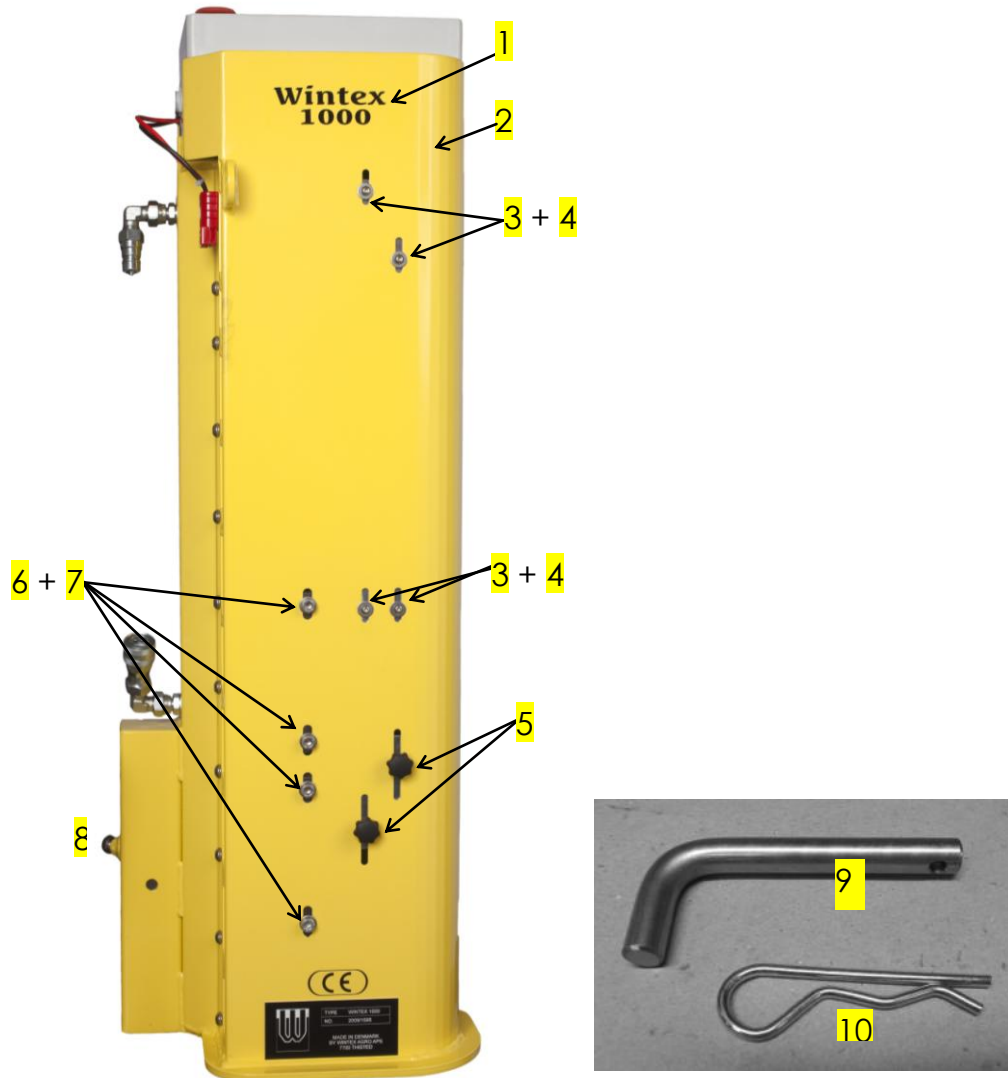
PART NO.	ART.NO.	ARTICLE
1	15101003-1	Soil box, 265 mm high, 90 mm wide, 90 mm long
2	15101003-2	Soil box, 265 mm high, 105 mm wide, 105 mm long
3	15101003-3	Soil box, 265 mm high, 132 mm wide, 107 mm long
4	15101003-4	Soil box, 265 mm high, 149 mm wide, 104 mm long
5	15101002	Lift for soil box, for soil box no. 15101003-1 and 15101003-2
6	15101002-1	Lift for soil box, for soil box no. 15101003-2
7	15101002-2	Lift for soil box, for soil box no. 15101003-3 and 15101003-4
8	15101002-3	Lift for soil box, for soil box no. 15101003-1, contains 0,8 litres
9	15101002-4	Lift for soil box, for soil box no. 15101003-3, contains 1,5 litres

SOIL BOXES



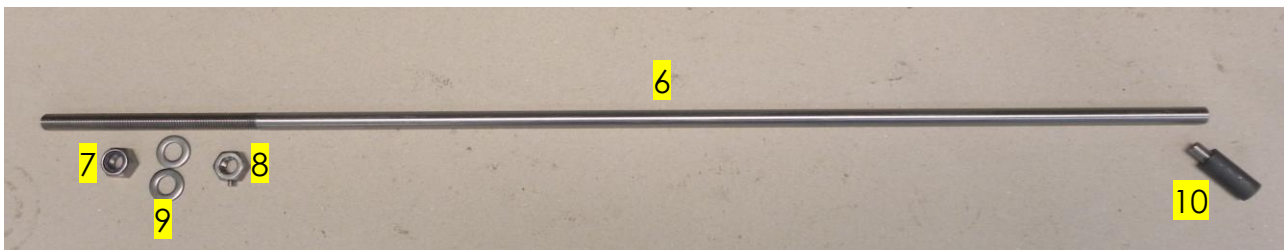
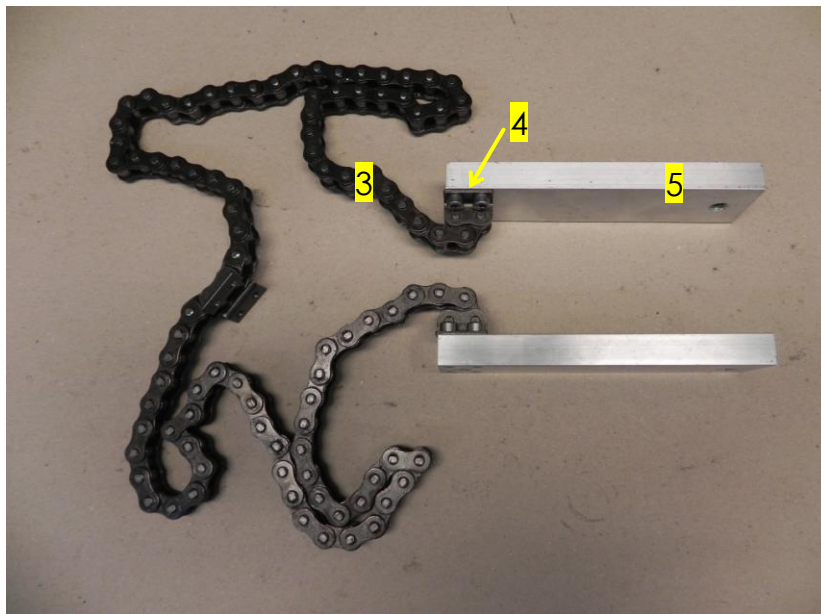
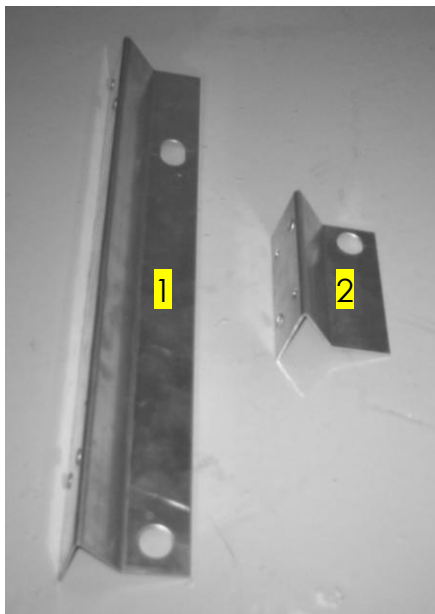
PART NO.	ART.NO.	ARTICLE
1	15101021	Insex screw, low head, f. bottom of soil box, M12x100 mm
2	15101110	Lock nut, M12 mm
3	15101022	Fitted bolt f. top of soil box
4	15101008	Spring f. soil box
5	15101020	Eccentric
6	15101019	Lock nut, M10 mm
7	15101018	Bearing f. soil box
8	15101109	Special key f. adjustment of soil box
9	15101255	Slide bushing f. soil box

YELLOW COVER



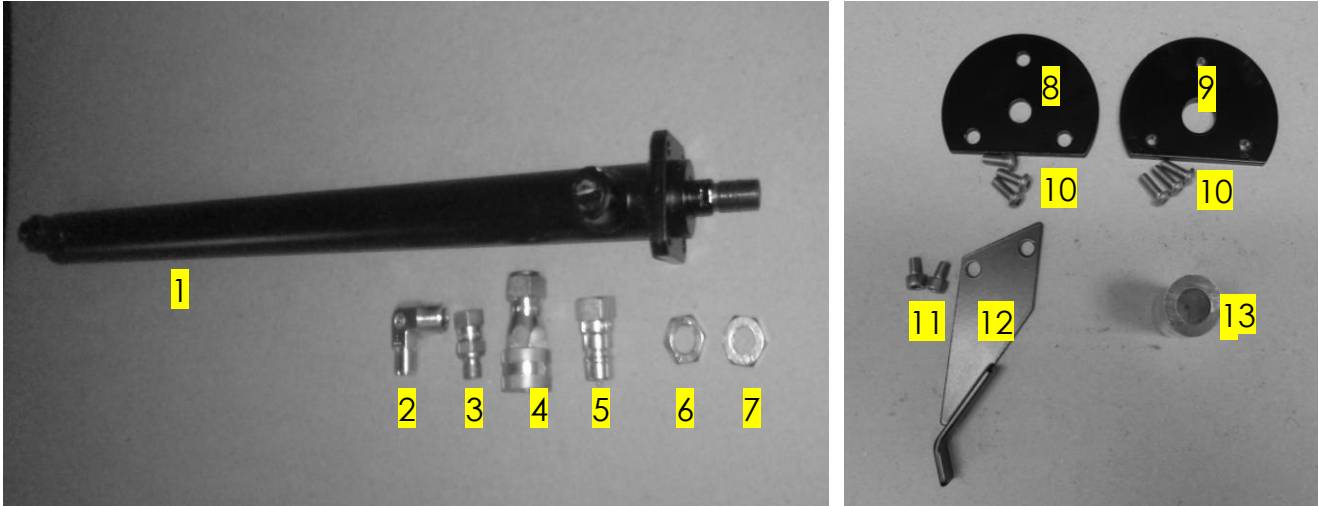
PART NO.	ART.NO.	ARTICLE
1	15101178	Label WINTEX 1000
2	15101001	Yellow cover
3	15101012	Insex screw, low head, M5x12 mm (4 pcs.)
4	15101066	Washer, M5 mm (6 pcs.)
5	15101130	Star knob
6	15101005	Insex screw, low head, M8x20 mm (4 pcs.)
7	15101058	Washer, M8 mm (4 pcs.)
8	15101259	Hex bolt, M10x25 mm
9	15101167	Bolt f. mounting of yellow unit
10	15101169	R-pin
-	15101257	Cable holder, 10 mm

YELLOW COVER



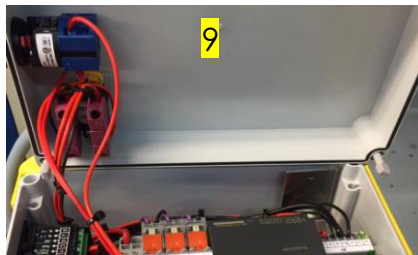
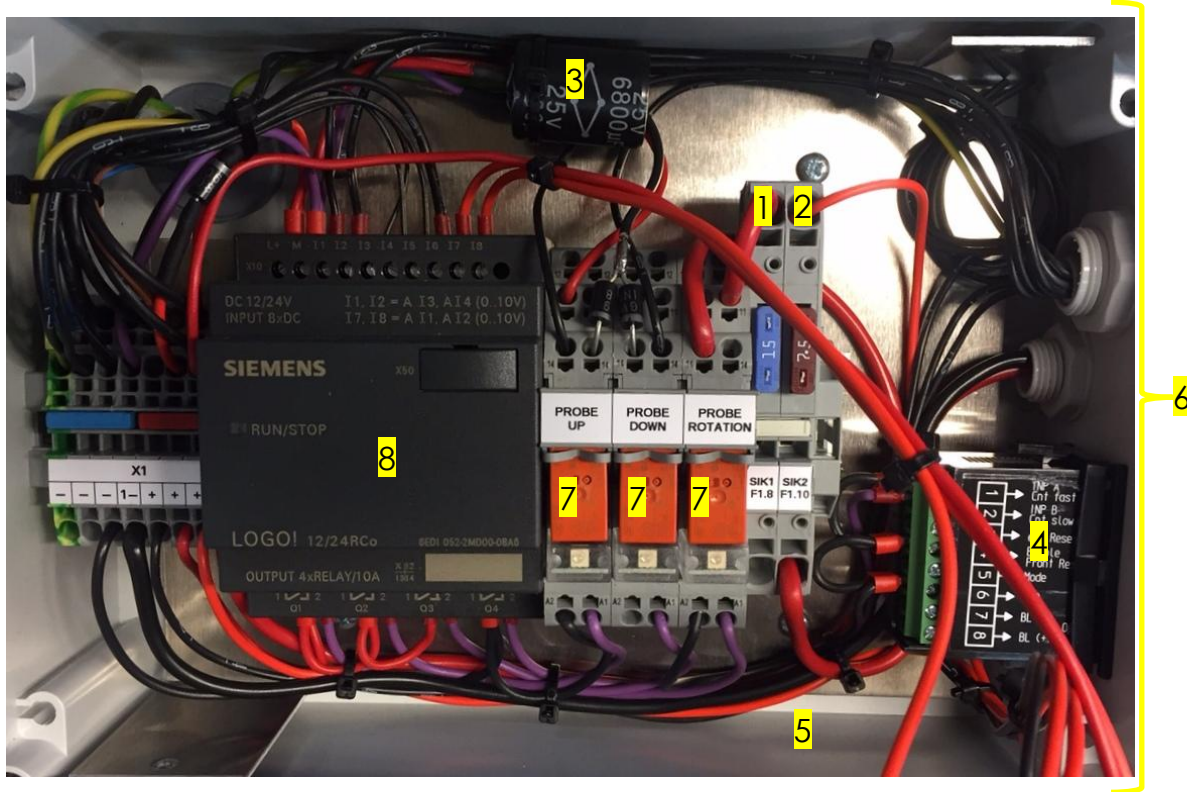
PART NO.	ART.NO.	ARTICLE
1	15101043	Aluminium plate f. top sensor
2	15101042	Aluminium plate f. lower sensor
3	15101091	Chain to guide
4	15101059	Insex screw, M5x16 mm
5	15101090	Fitting f. chain
6	15101007-10	Ejector, 10 mm
6	15101007-12	Ejector, 12 mm
7	15101019	Lock nut, M10 mm
7	15101110	Lock nut, M12 mm
8	15101114	Nut with stop screw, M10 mm
8	15101111	Nut with stop screw, M12 mm
9	15101089	Washer, M10 mm
9	15101171	Washer, M12 mm
10	15101009-13	Ejector tip, 13 mm
10	15101009-16	Ejector tip, 16 mm

YELLOW COVER



PART NO.	ART.NO.	ARTICLE
1	15101039	Cylinder
2	15101115	Angle
3	15101116	Nipple
4	15101041	Female quick coupling
5	15101038	Male quick coupling
6	15101118	Nut with stop screw, M14 mm
7	15101117	Counter nut
8	15101119	Mounting plate with thread f. ejector, 6 mm (2 pcs.)
9	15101120	Mounting plate without thread for ejector (2 pcs.)
10	15101096	Insex screw, low head, M6x16 mm (6 pcs.)
11	15101245	Insex screw, M6x10 mm (2 pcs.)
12	15101122	Stop f. soil box
13	15101121	Spacer f. ejector
-	15101014	Insex screw, M6x25 mm (4 pcs.)
-	15101070	Lock nut, M6 mm

ELECTRICITY BOX



PART NO.	ART.NO.	ARTICLE
1	15101081	Fuse, 15 amp
2	15101082	Fuse, 7,5 amp
3	15101083	Capacitor with cable and diode
4	15101084	Counter
5	15101087	Bottom of electricity box
6	15101016	Electric system, 12DC, complete
7	15101154	Relay, 16 amp
8	15101086	PLC logo with programme
9	15101123	Lit f. electricity box
10	15101179	Plastic bolt f. electricity box
11	15101182	Switch 1-2-3
-	15101242	Button Head, M8x10 mm
-	15101073	Plain washer, M8x20 mm

ELECTRICAL PARTS



1



2



3



4

5



6



7



8



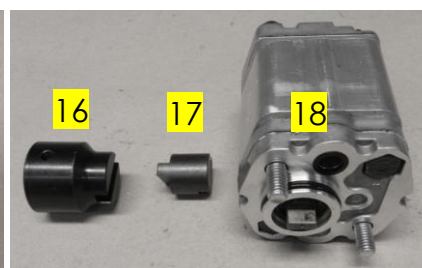
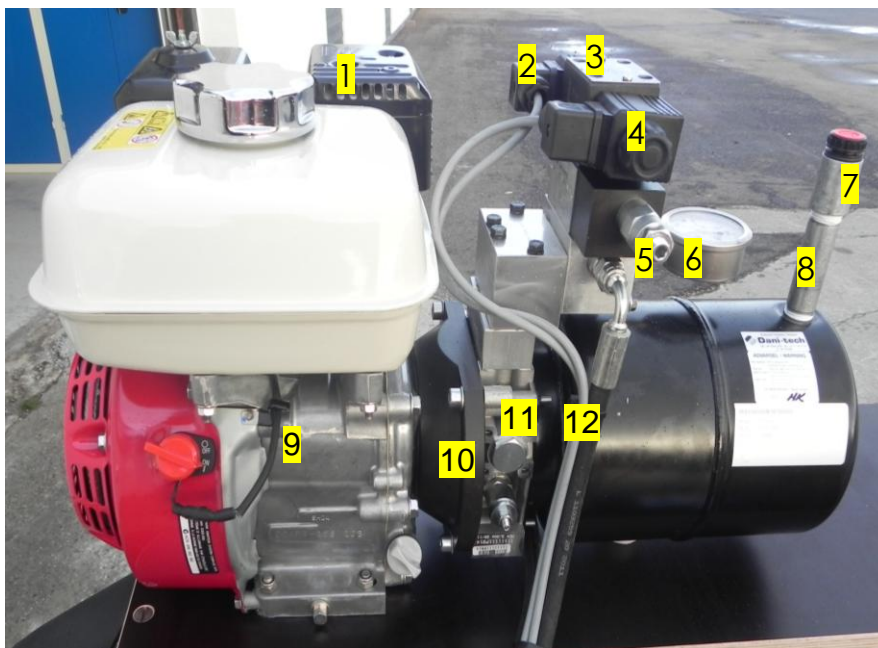
9



10

PART NO.	ART.NO.	ARTICLE
1	15101062	Cable f. DC-motor
2	15101124	Cable with 13-pole male plug
3	15101125	Red plug, 12 V
4	15101127	Mounting f. luggage carrier
5	15101126	Cable with 13-pole female plug
6	15101128	Cable with red plug, 12 V
7	15101067	Sensor
8	15101155	Sensor with cable
9	15101060	Start switch
10	15101061	Foot switch
11	15101080	Emergency stop
-	15101263	Insex-bolt, M6x30 mm
-	15101070	Lock nut, M6 mm
-	15101074	Machine screw, M4x20 mm

HYDRAULICS



PART NO.	ART.NO.	ARTICLE
1	15101218	Air filter
2	15101141	Plug
3	15101142	Solenoid valve
4	15101143	Solenoid
5	15101146	Adjusting valve
6	15101144	Manometer
7	15101157	Sleeve 1/2" - 3/4"
8	15101156	Pipe
9	15101151	Honda GX160 motor
10	15101149	Flange
11	15101252	Screwed connection f. manometer
12	15101148	Hoses, 3000 mm
13	15101145	Oil tank
14	15101253	Excess-pressure valve
15	15101196	Cap with oil level rod
16	15101150	Motor coupling
17	15101184	Coupling with notch
18	15101147	Pump 2,6 CC

OTHER PARTS



1



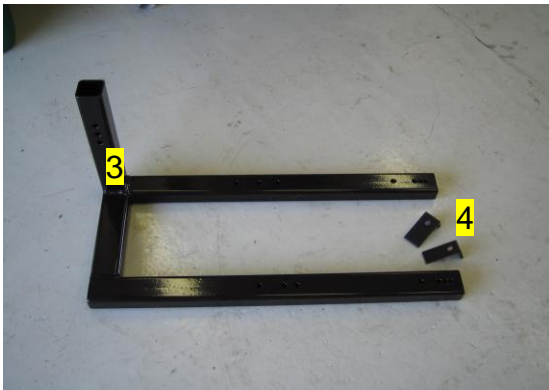
3



4

PART NO.	ART.NO.	ARTICLE
1	15101129	Tower support
2	15101259	Hex bolt, M10x25 mm
3	15101131	Container f. plastic boxes
4	15101132	Funnel f. filling of bags
-	15101089	Washer, M10 mm
-	15101019	Lock nut, M10 mm

OTHER PARTS



PART NO.	ART.NO.	ARTICLE
1	15101152	Compact laminate front
2	15101153	Compact laminate back
3	15101075	Mounting frame
4	15101140	Mounting bracket
5	15101076	Hydraulic oil EZ32
-	15101019	Lock nut, M10 mm
-	15101051	Insex-bolt, M10x100 mm